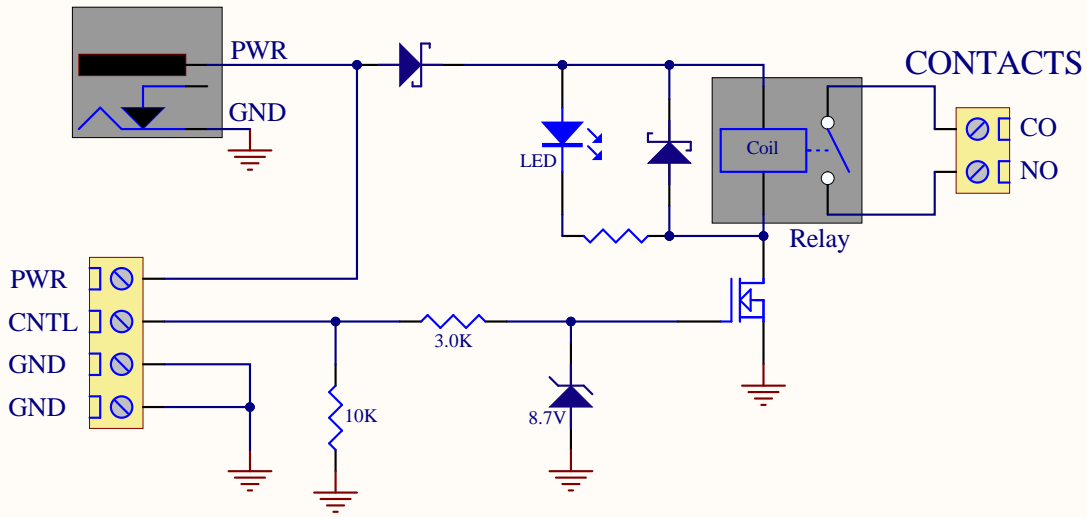


DC POWER & INPUTS



RLY501 Simplified Schematic  
Rev. A  
Winford Engineering, LLC