

4

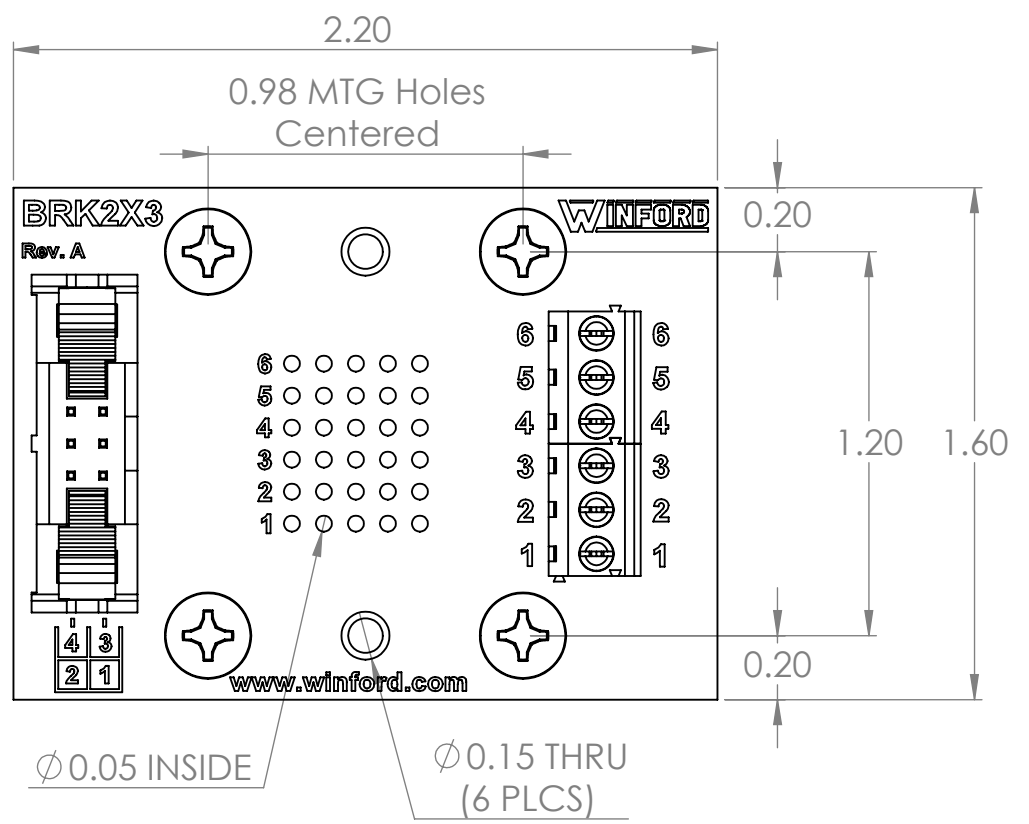
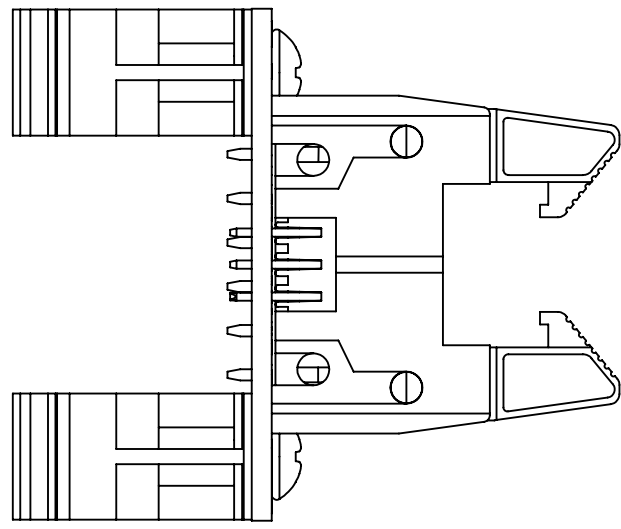
3

2

1

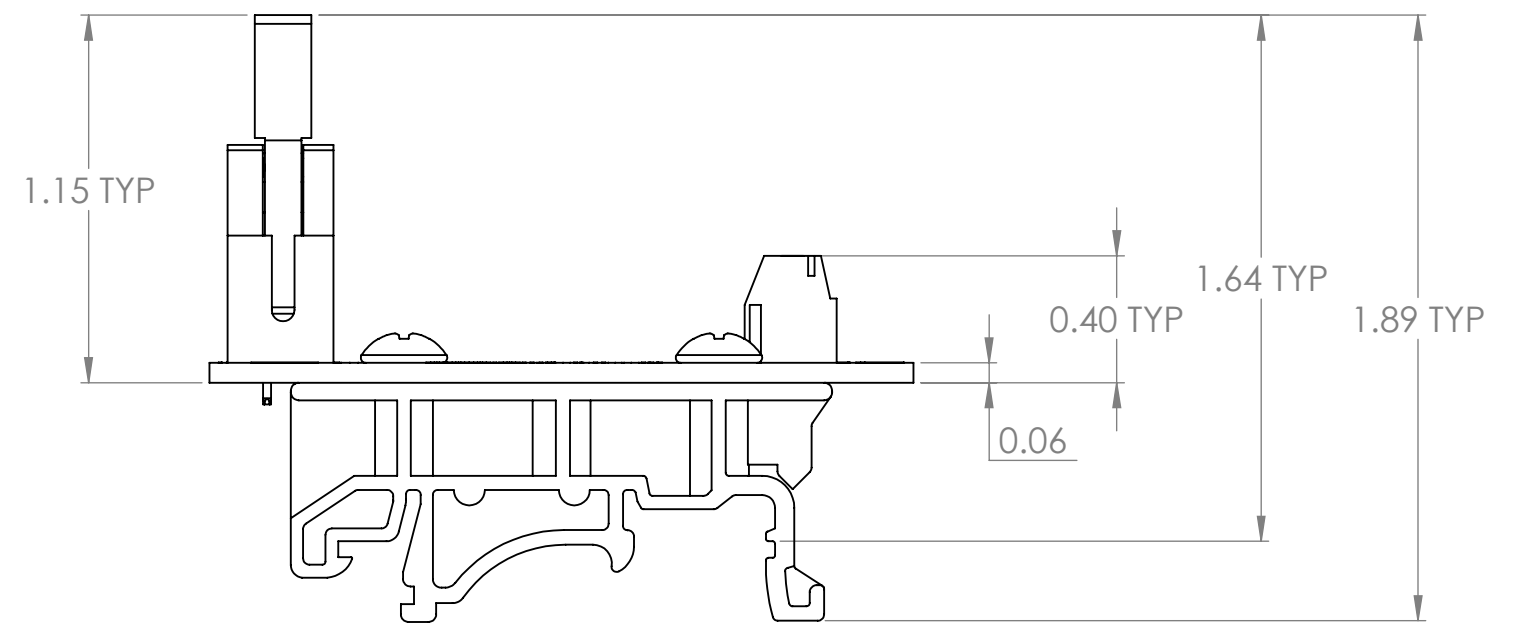
B

B

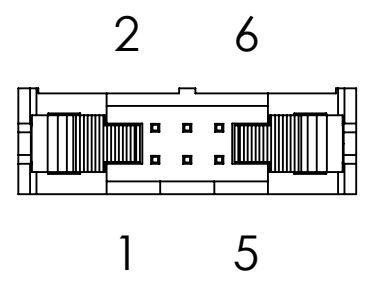



A

A



Connector Pinout



DIM: INCH	DATE: 04/19/2022	RoHS COMPLIANT: Yes	DESCRIPTION:
 WINFORD ENGINEERING, LLC 4561 GARFIELD ROAD AUBURN, MI 48611			2x3 0.1" Header Breakout Board
www.winford.com		989-671-9721	PART NUMBER (S)
			BRK2X3-L-DIN
			PART REVISION
			A

4

3

2

1