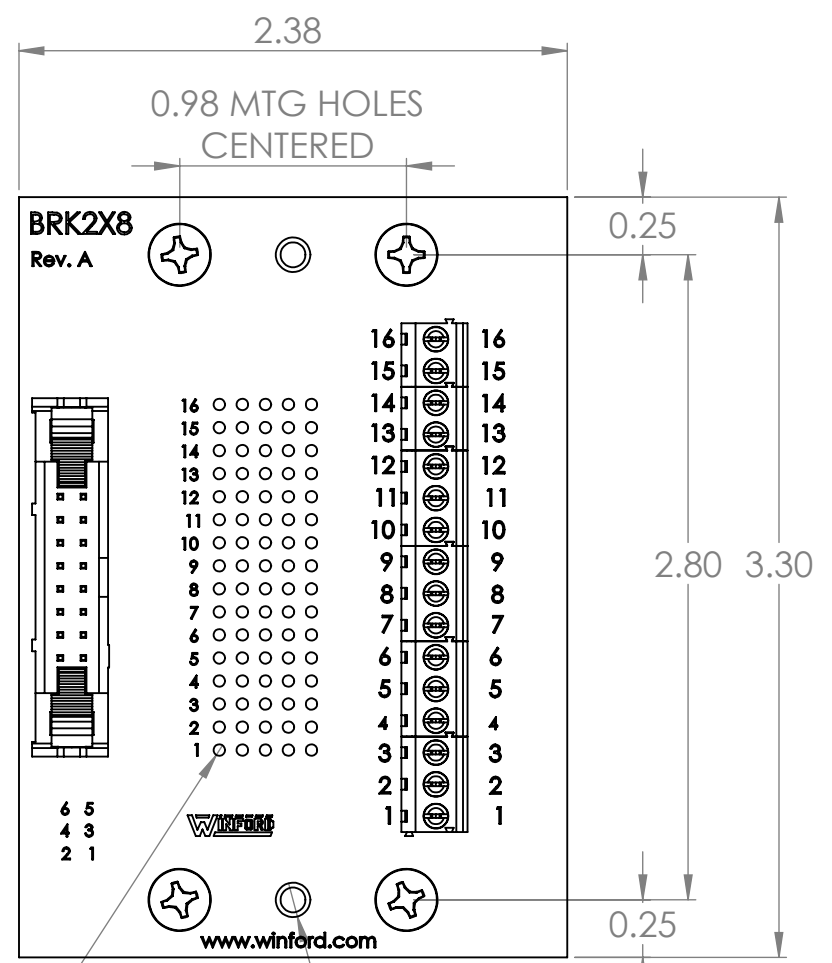
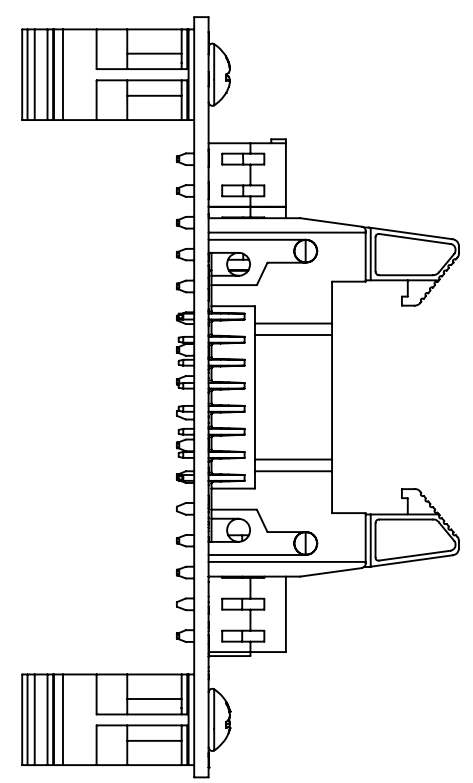


4

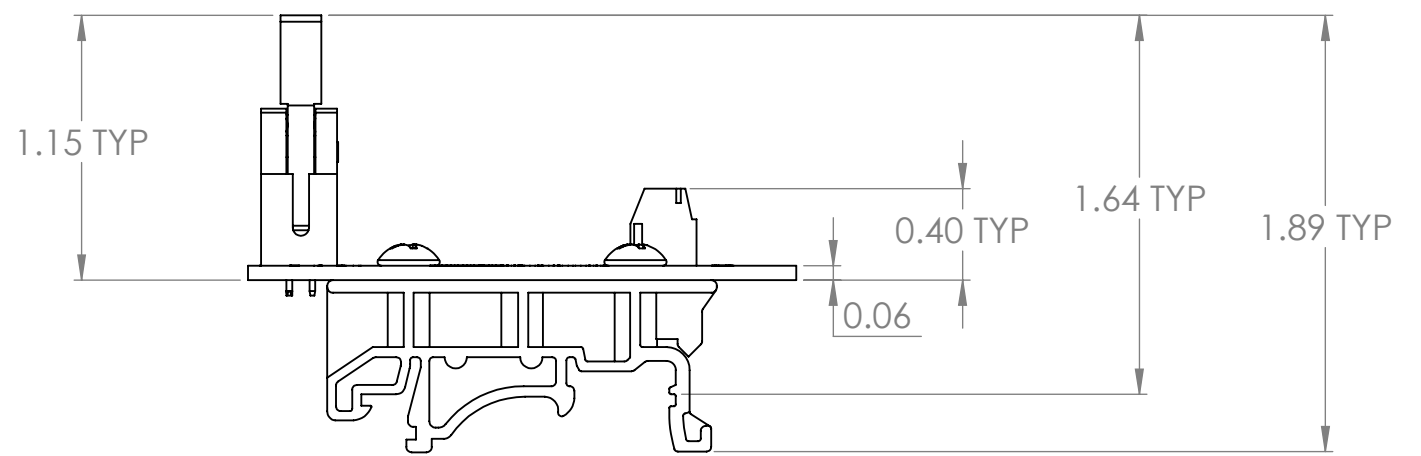
3

2

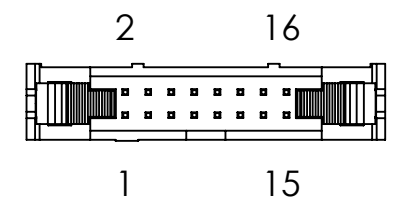
1




Ø0.05 INSIDE
Ø0.15 THRU
(6 PLCS)



Connector Pinout



DIM: INCH	DATE: 07/02/2021	RoHS COMPLIANT: Yes	DESCRIPTION:
 WINFORD ENGINEERING, LLC 4561 GARFIELD ROAD AUBURN, MI 48611			2x8 0.1" Header Breakout Board
www.winford.com		989-671-9721	PART NUMBER (S) BRK2X8-L-DIN
			PART REVISION A

4

3

2

1