

4

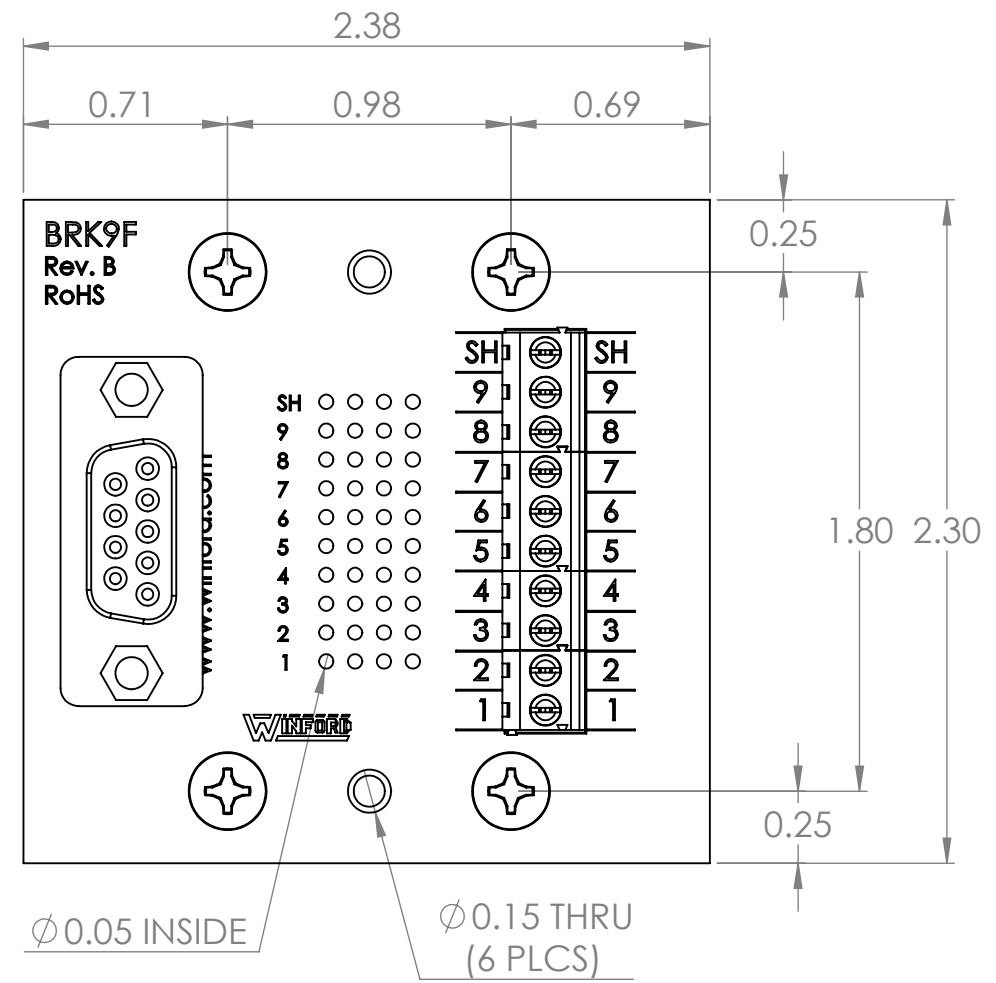
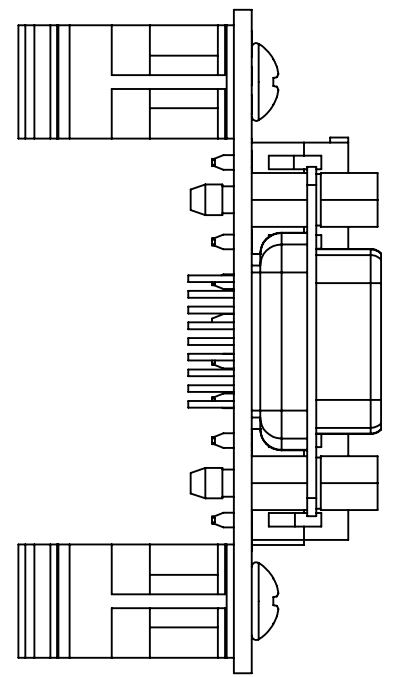
3

2

1

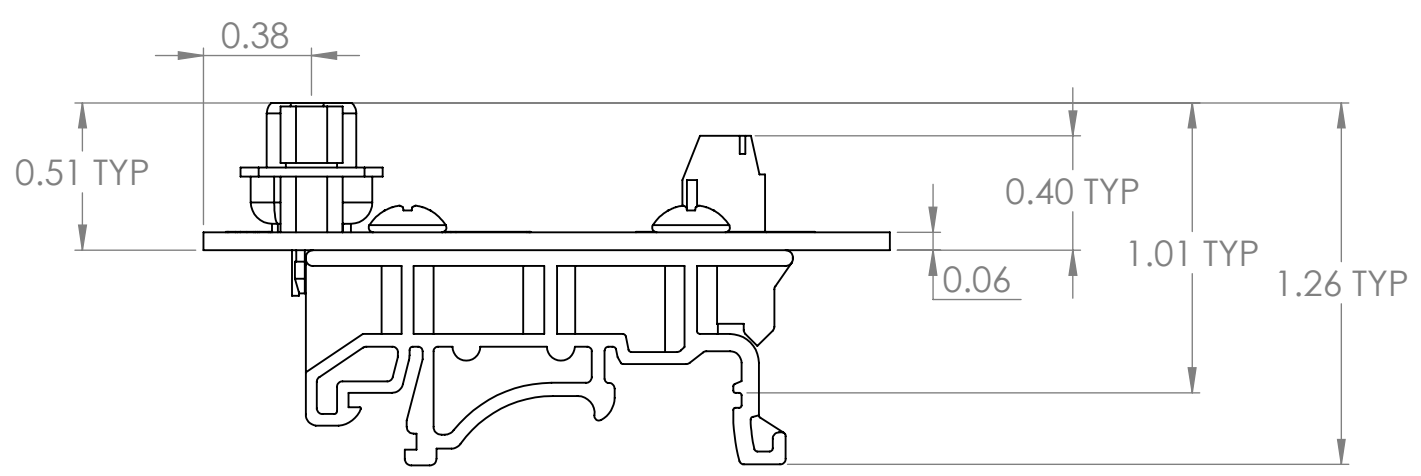
B

B

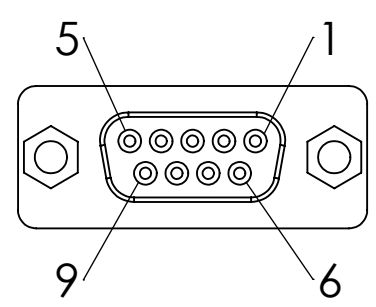


A

A



Connector Pinout



DIM: INCH	DATE: 07/21/2021	RoHS COMPLIANT: Yes	DESCRIPTION:
			<b>DB9 Female Breakout Board</b>
www.winford.com		WINFORD ENGINEERING, LLC 4561 GARFIELD ROAD AUBURN, MI 48611 989-671-9721	PART NUMBER (S) <b>BRK9F-S-DIN</b>
			PART REVISION <b>B</b>

4

3

2

1