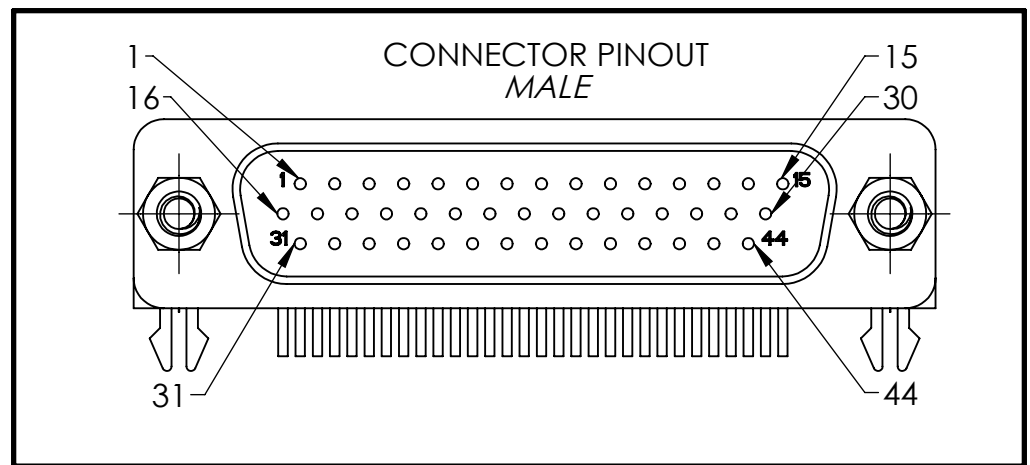
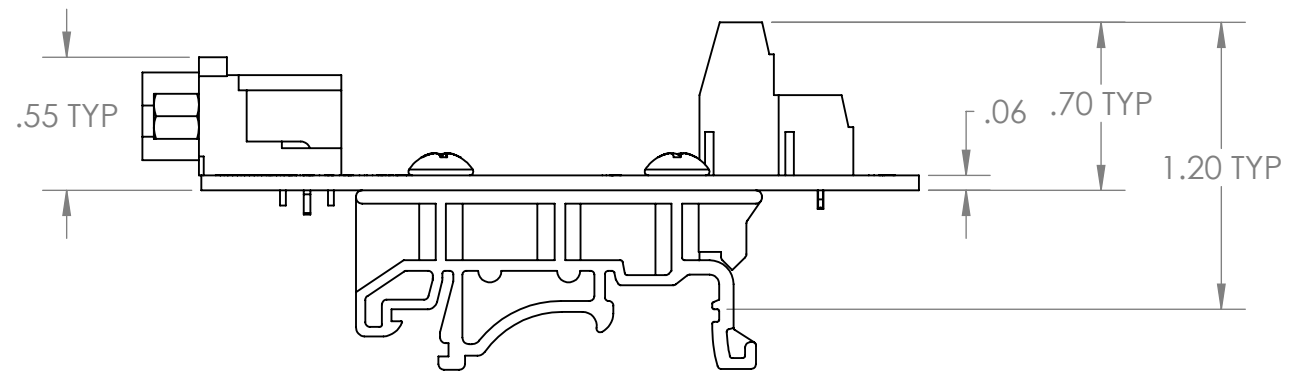
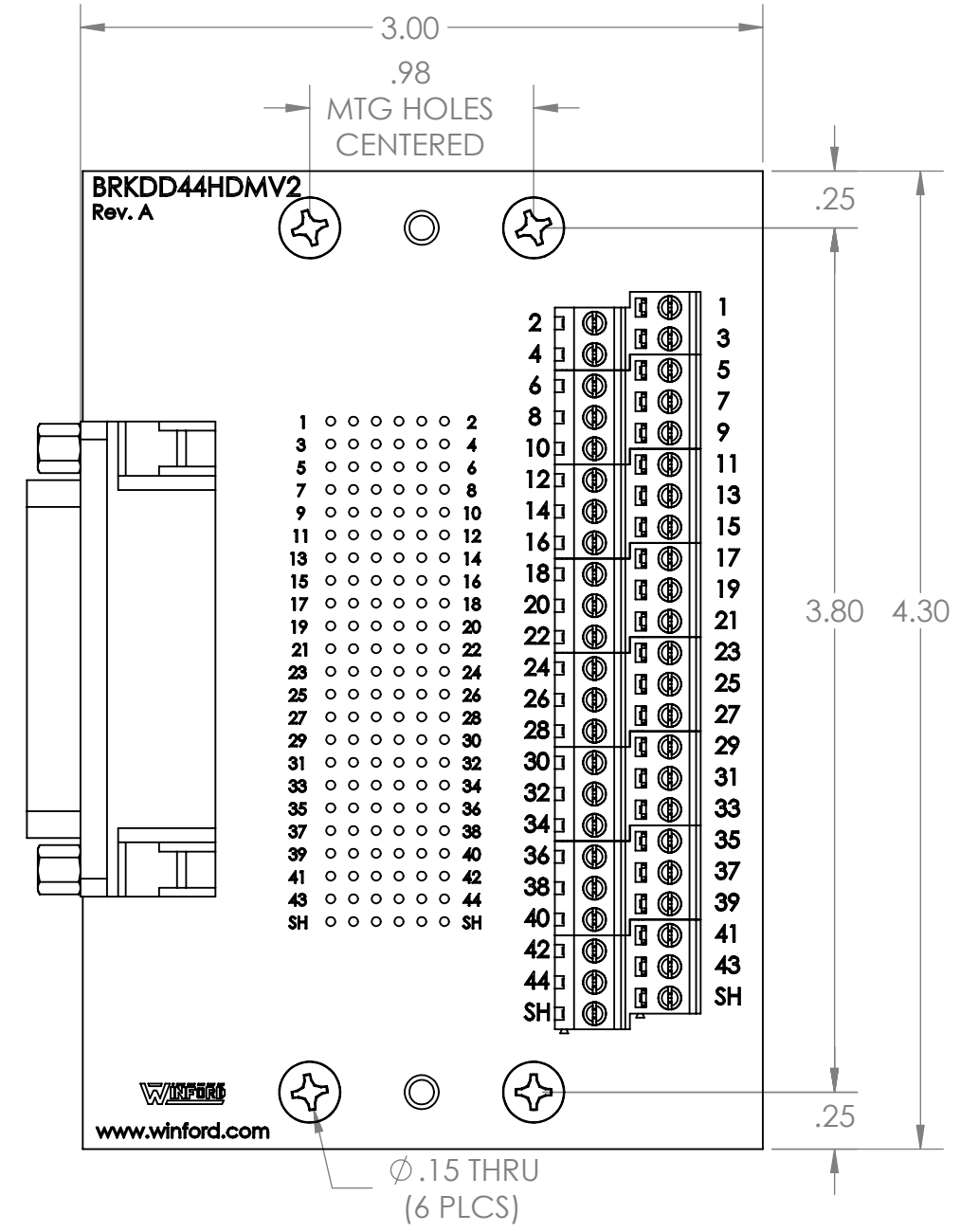
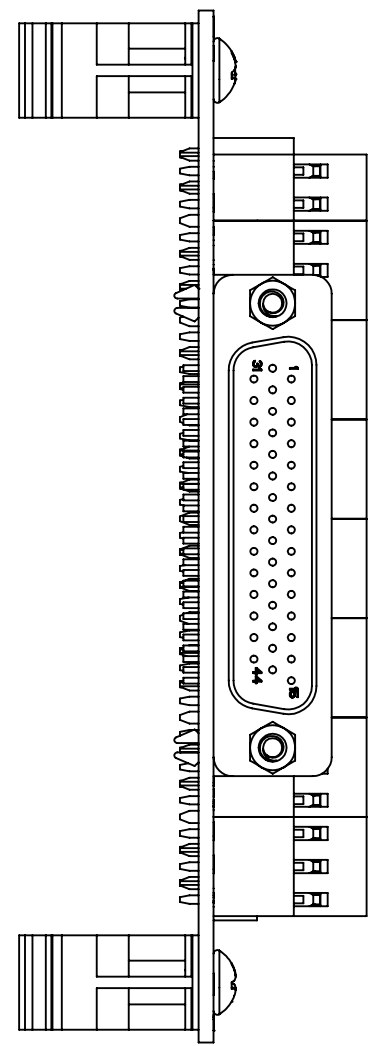



4

3

2

1



|  |                  |                     |  |
|--|------------------|---------------------|--|
| DIM: INCH  | DATE: 10/13/2019 | RoHS COMPLIANT: YES | DESCRIPTION:                                 |
|  WINFORD ENGINEERING, LLC<br>4561 GARFIELD ROAD<br>AUBURN, MI 48611 |                  |                     | <b>DB44HD Male Breakout Board</b>            |
| www.winford.com  |                  | 989-671-9721        | PART NUMBER (S)<br><b>BRKDD44HDMV2-R-DIN</b> |
|  |                  |                     | PART REVISION<br><b>A</b>                    |

4

3

2

1

B

B

A

A