

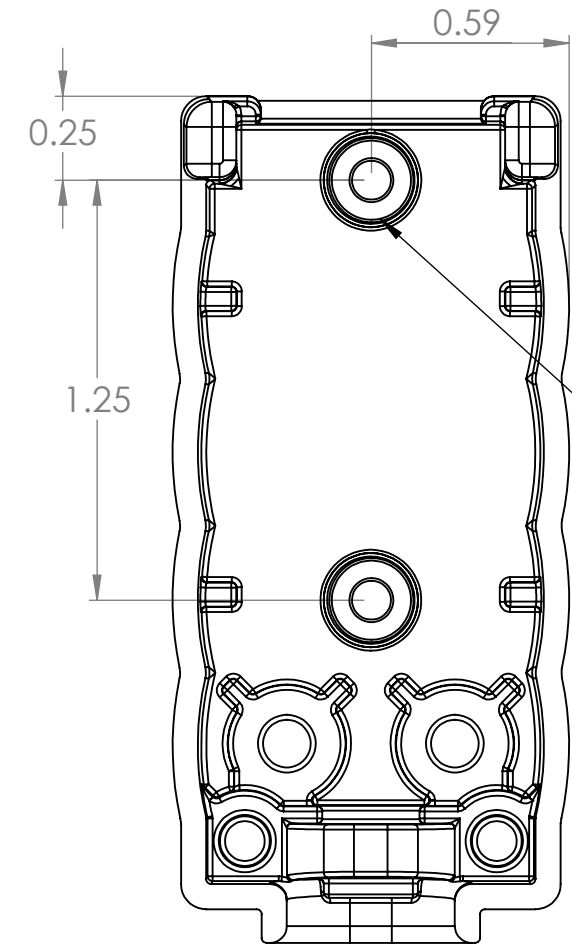
4

3

2

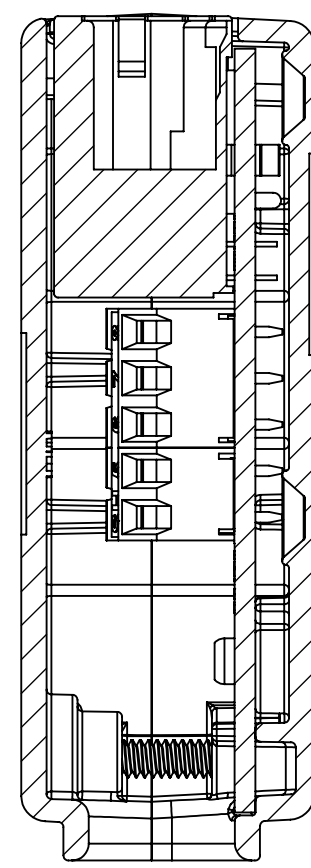
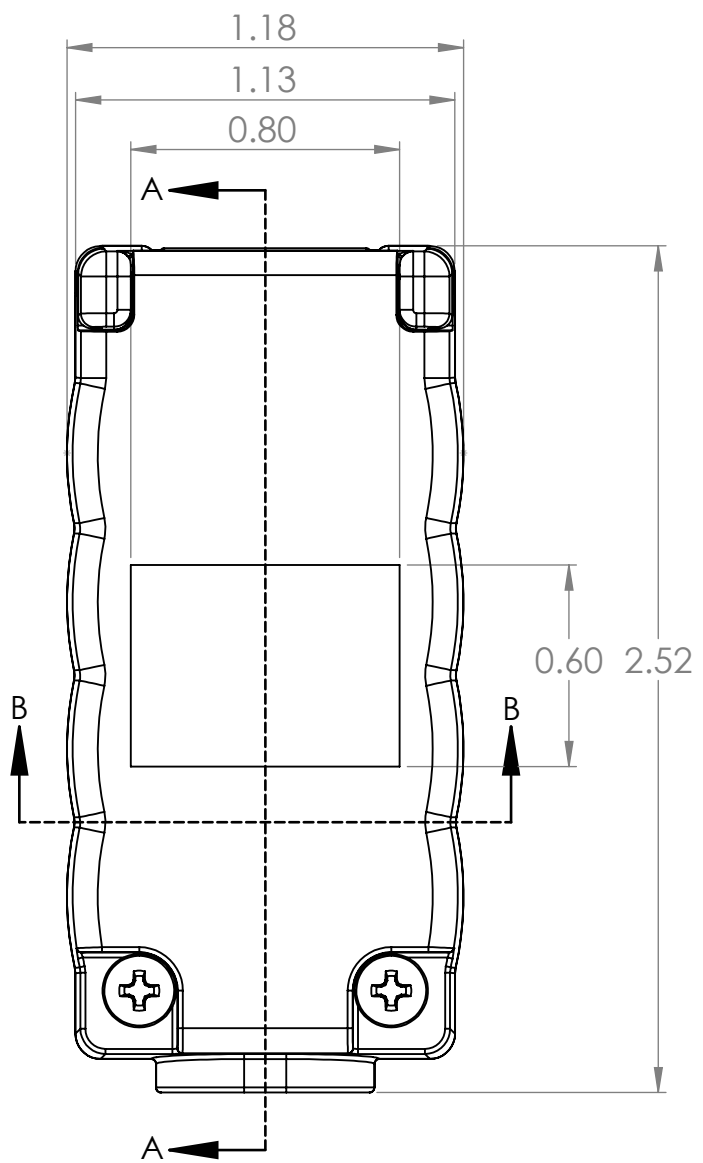
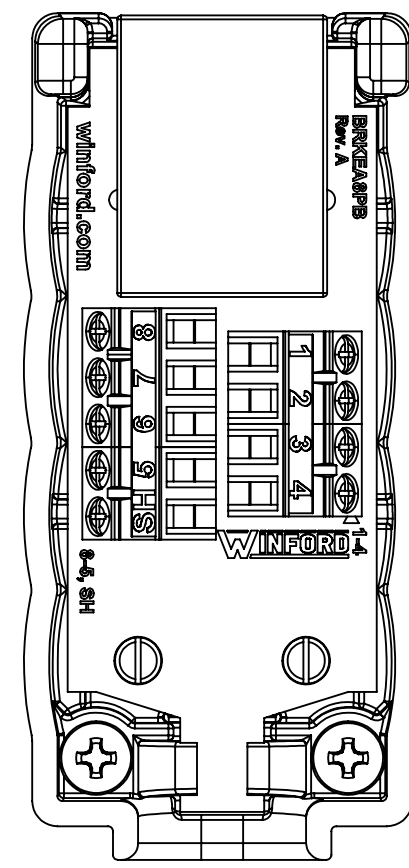
1

Base, Without Board Installed

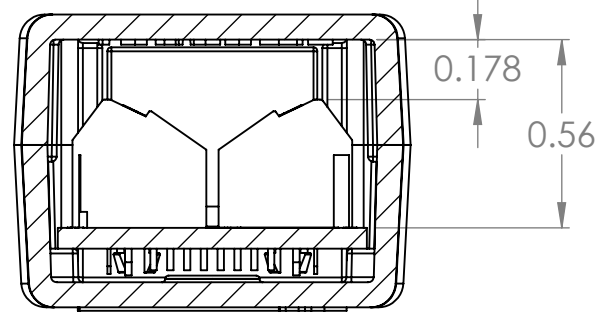
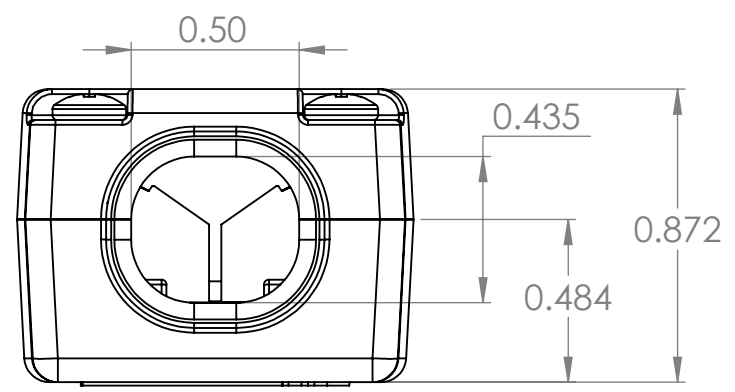


Divots For Case  
Mounting (2 PLCS)  
Drill out  $\varnothing 1/8"$   
Use #4 Flat Head

Base, With Board Installed

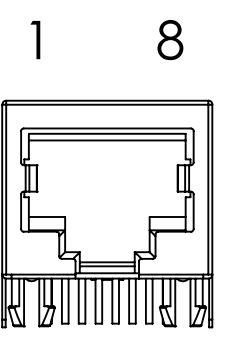



SECTION A-A



SECTION B-B

Connector Pinout



DIM: INCH	DATE: 01/24/2023	RoHS COMPLIANT: Yes	DESCRIPTION:
 WINFORD ENGINEERING, LLC 4561 GARFIELD ROAD AUBURN, MI 48611			RJ45 Breakout Board W/Enclosure
			PART NUMBER (S)
www.winford.com	989-671-9721	BRKEA8PB-N	A

4

3

2

1

B

B

A

A