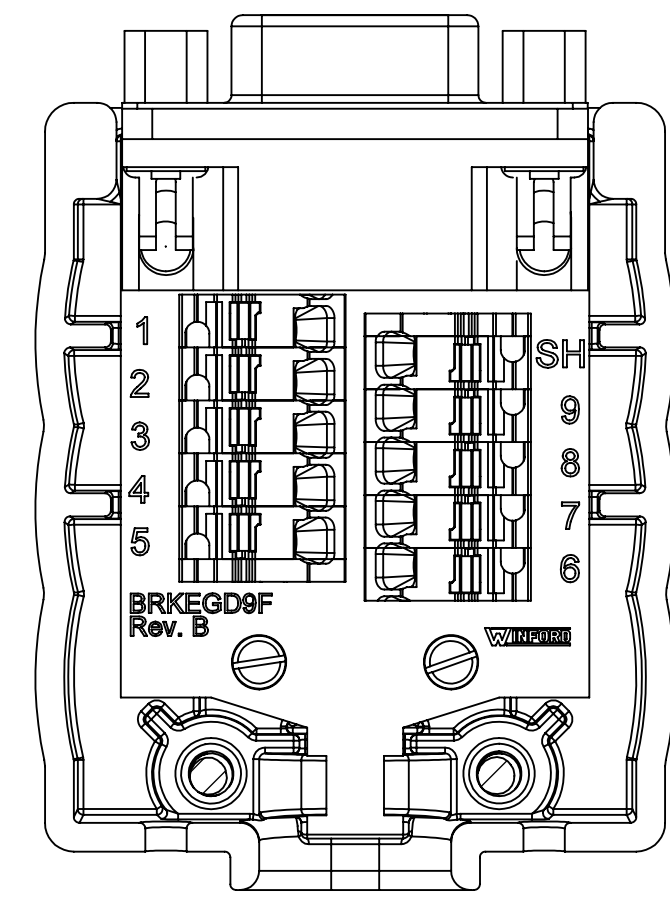
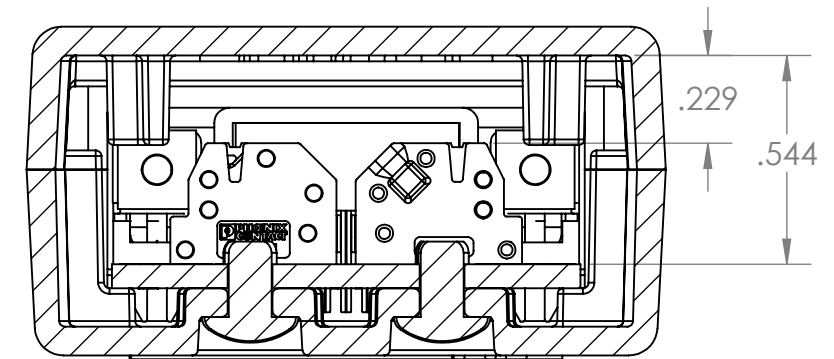
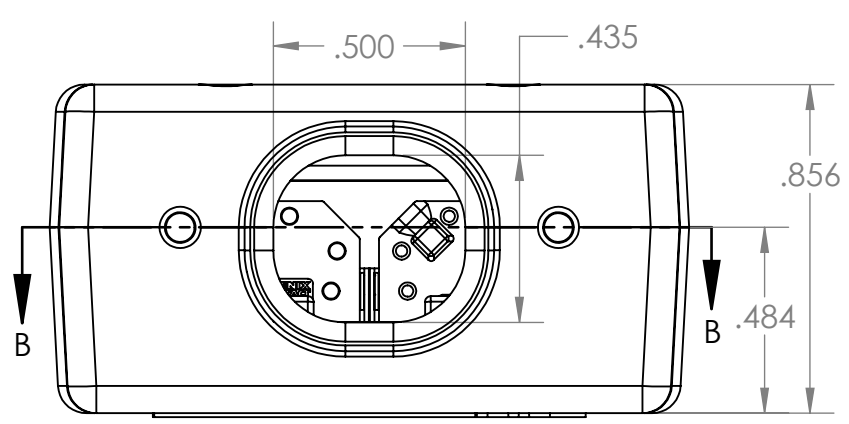



SECTION A-A



SECTION B-B



SECTION C-C

DIM: INCH	DATE: 08/22/2021	RoHS COMPLIANT: YES	DESCRIPTION:
 WINFORD ENGINEERING, LLC 4561 GARFIELD ROAD AUBURN, MI 48611			DB9 Breakout Board W/ Enclosure
www.winford.com		989-671-9721	PART NUMBER (S)
			BRKEGD9F-R
			PART REVISION
			B