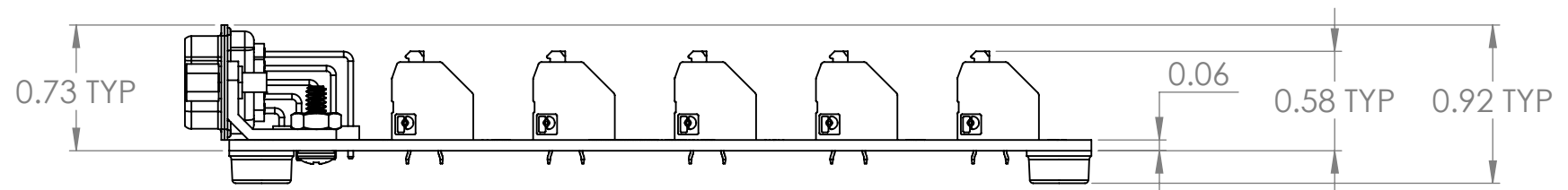
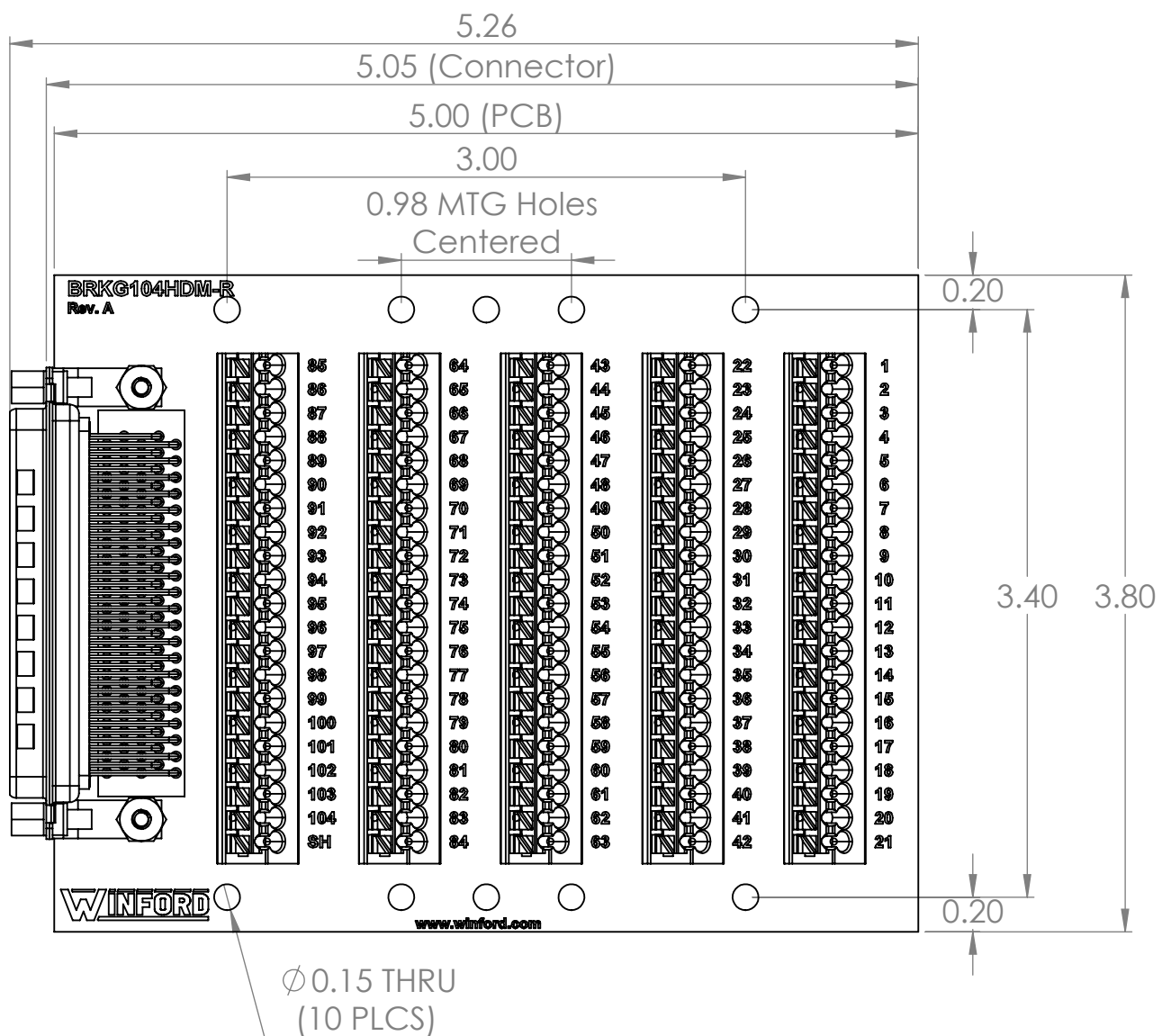
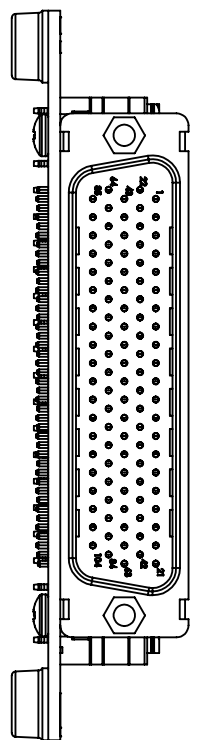


4

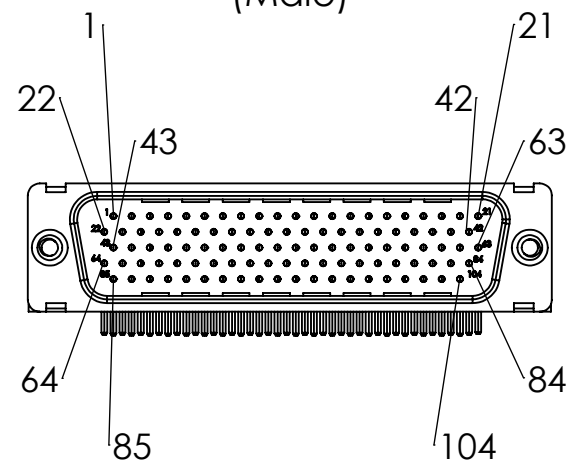
3


2

1



Connector Pinout (Male)



DIM: INCH	DATE: 08/17/2021	RoHS COMPLIANT: Yes	DESCRIPTION:
 WINFORD ENGINEERING, LLC 4561 GARFIELD ROAD AUBURN, MI 48611			DB104HD Male Breakout with Spring Terminals
www.winford.com		989-671-9721	PART NUMBER (S)
			BRKG104HDM-R-FT
			PART REVISION
			A

4

3

2

1

B

B

A

A