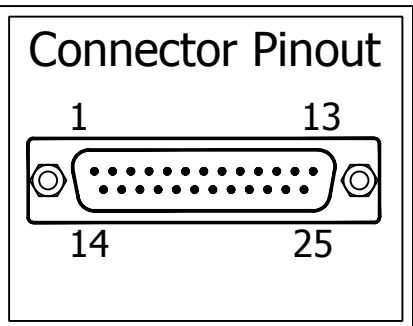
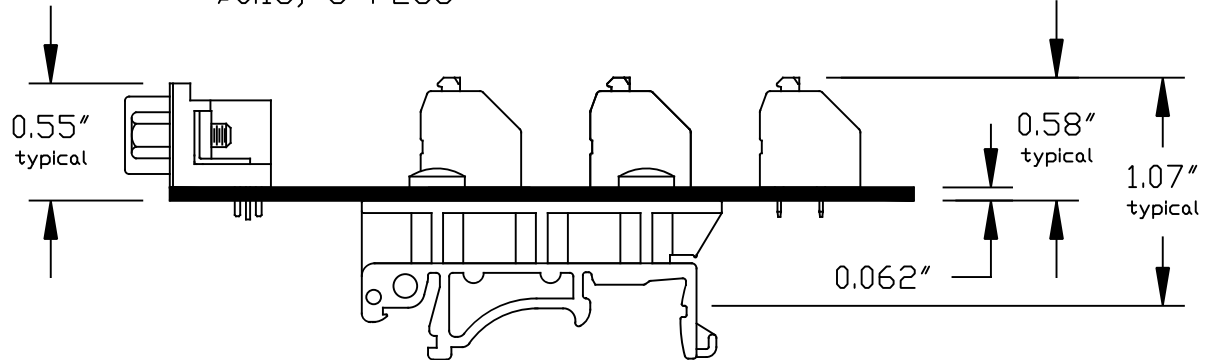


Ø0.04" INSIDE
Ø0.15, 6 PLCS



DIM: INCH	DATE: 06-30-2016	RoHS COMPLIANT: YES	DESCRIPTION:
Winford Engineering, LLC 4561 Garfield Road Auburn, MI 48611 www.winford.com			DB25 Male Spring Terminal Breakout Board
			PART NUMBER(S): BRKG25M-R-DIN
			PART REVISION: A