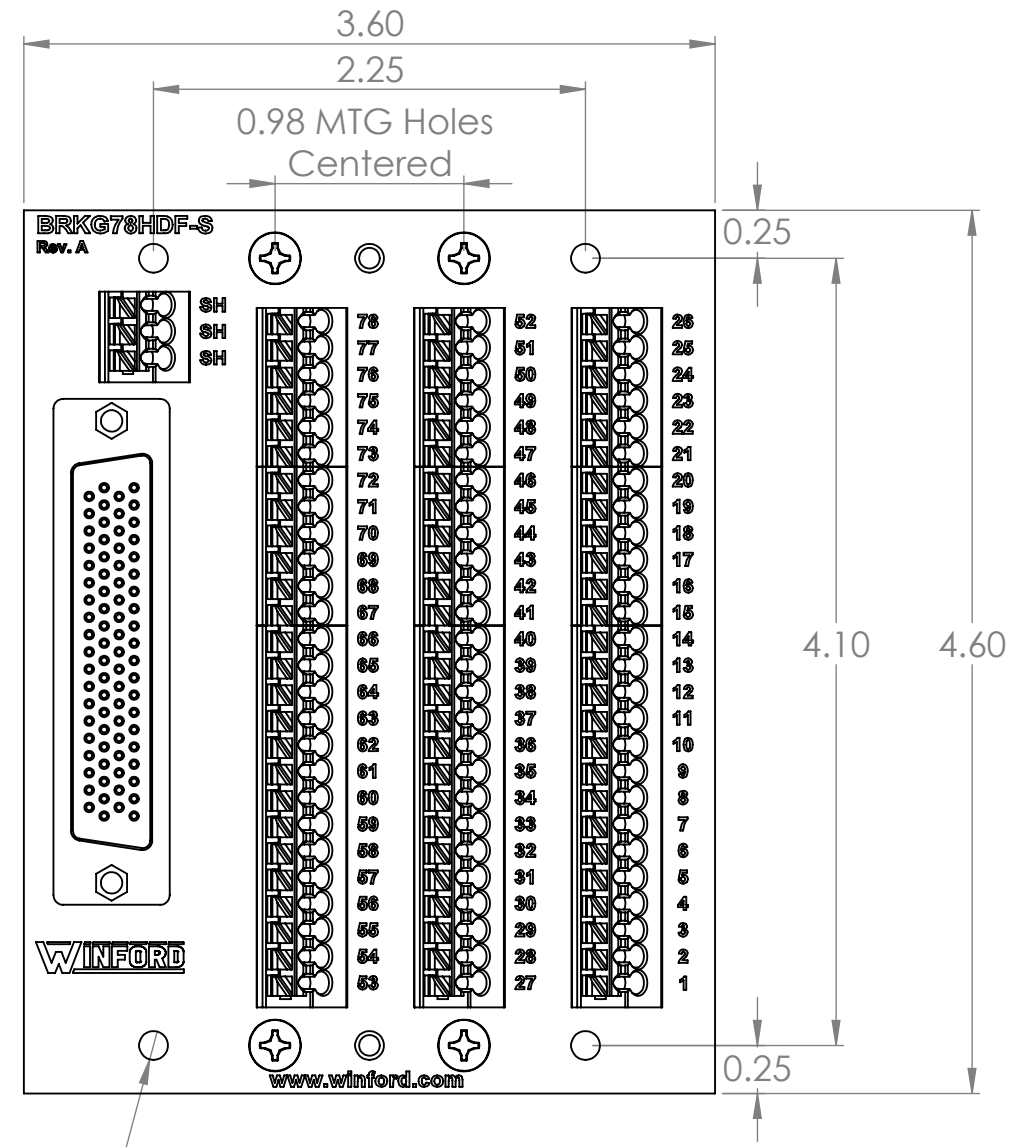
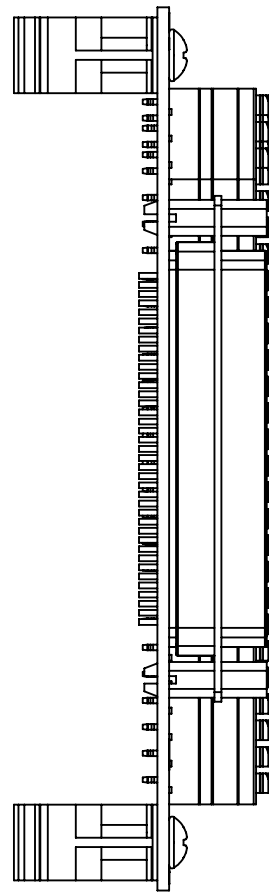


4

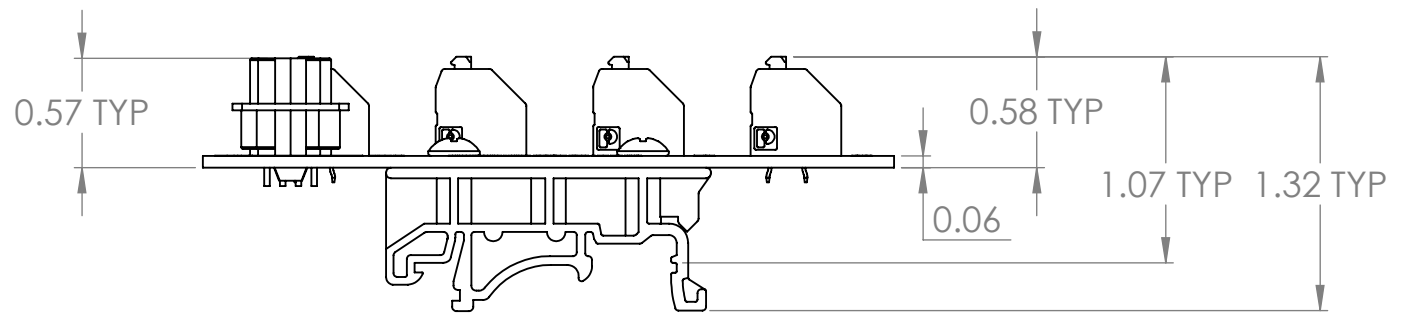
3

2

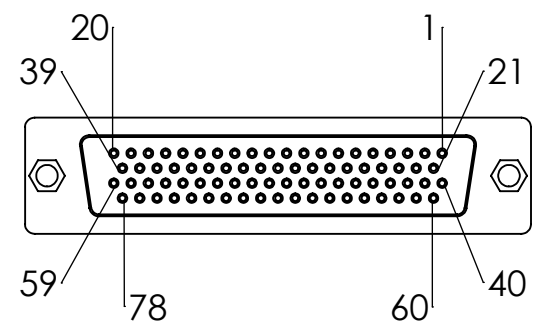
1



Ø0.15 THRU
(10 PLCS)



Connector Pinout



DIM: INCH	DATE: 03/20/2021	RoHS COMPLIANT: Yes	DESCRIPTION: 78 Pin D-sub Female Spring Terminal Board
		WINFORD ENGINEERING, LLC 4561 GARFIELD ROAD AUBURN, MI 48611	PART NUMBER (S) BRKG78HDF-S-DIN
www.winford.com		989-671-9721	PART REVISION A

4

3

2

1