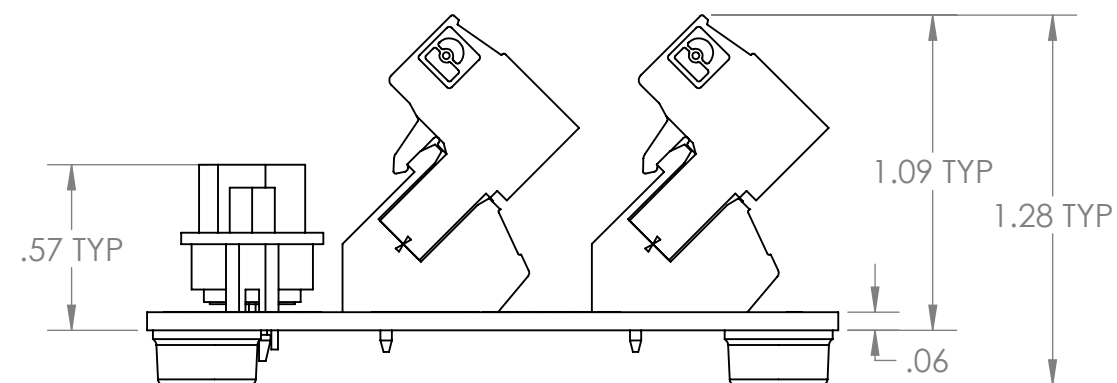
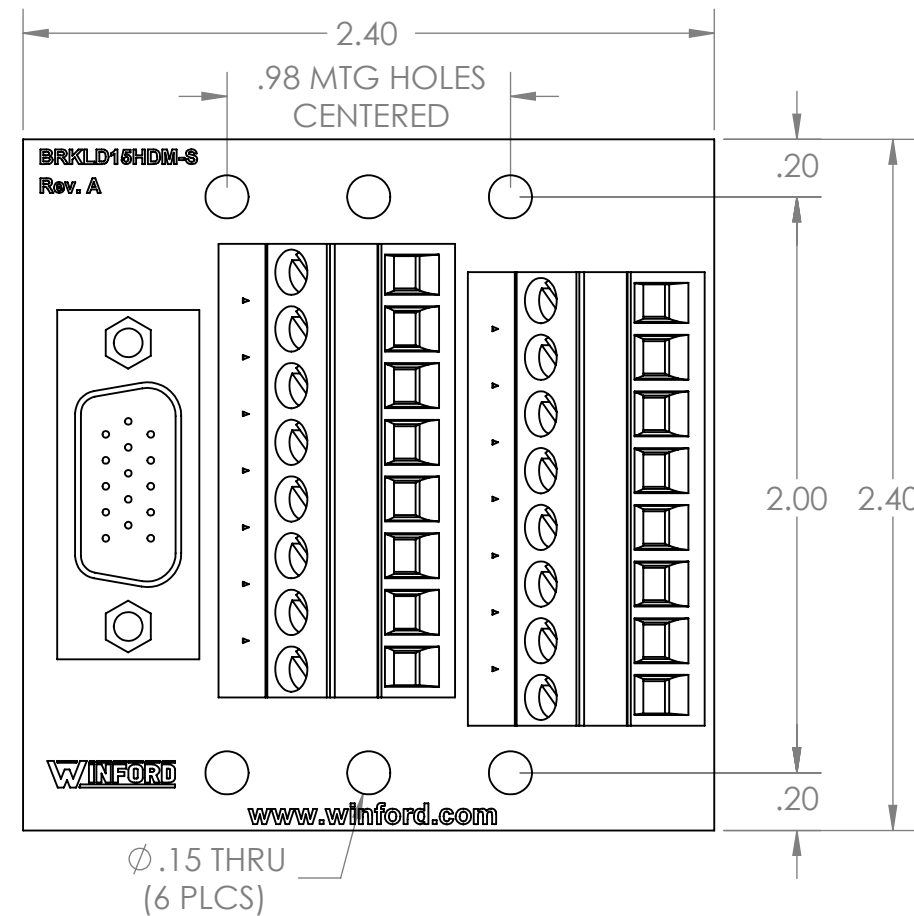
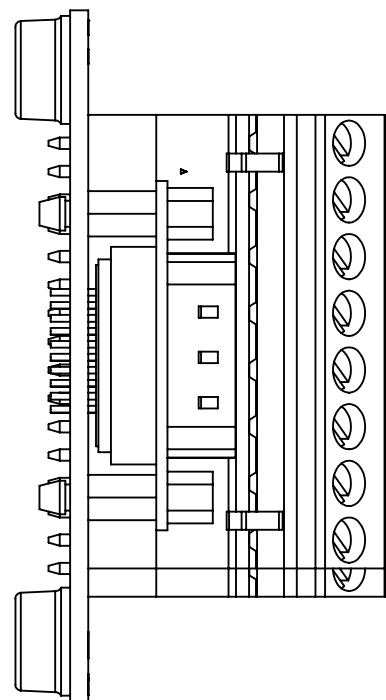


4

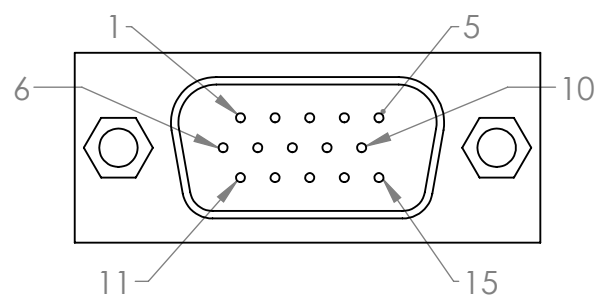
3


2

1



CONNECTOR PINOUT



DIM: INCH	DATE: 01/31/21	RoHS COMPLIANT: YES	DESCRIPTION:
 WINFORD ENGINEERING, LLC 4561 GARFIELD ROAD AUBURN, MI 48611			DB15HD Male Breakout
www.winford.com		989-671-9721	PART NUMBER (S) BRKLD15HDM-SW-FT
			PART REVISION A

4

3

2

1

B

B

A

A