

4

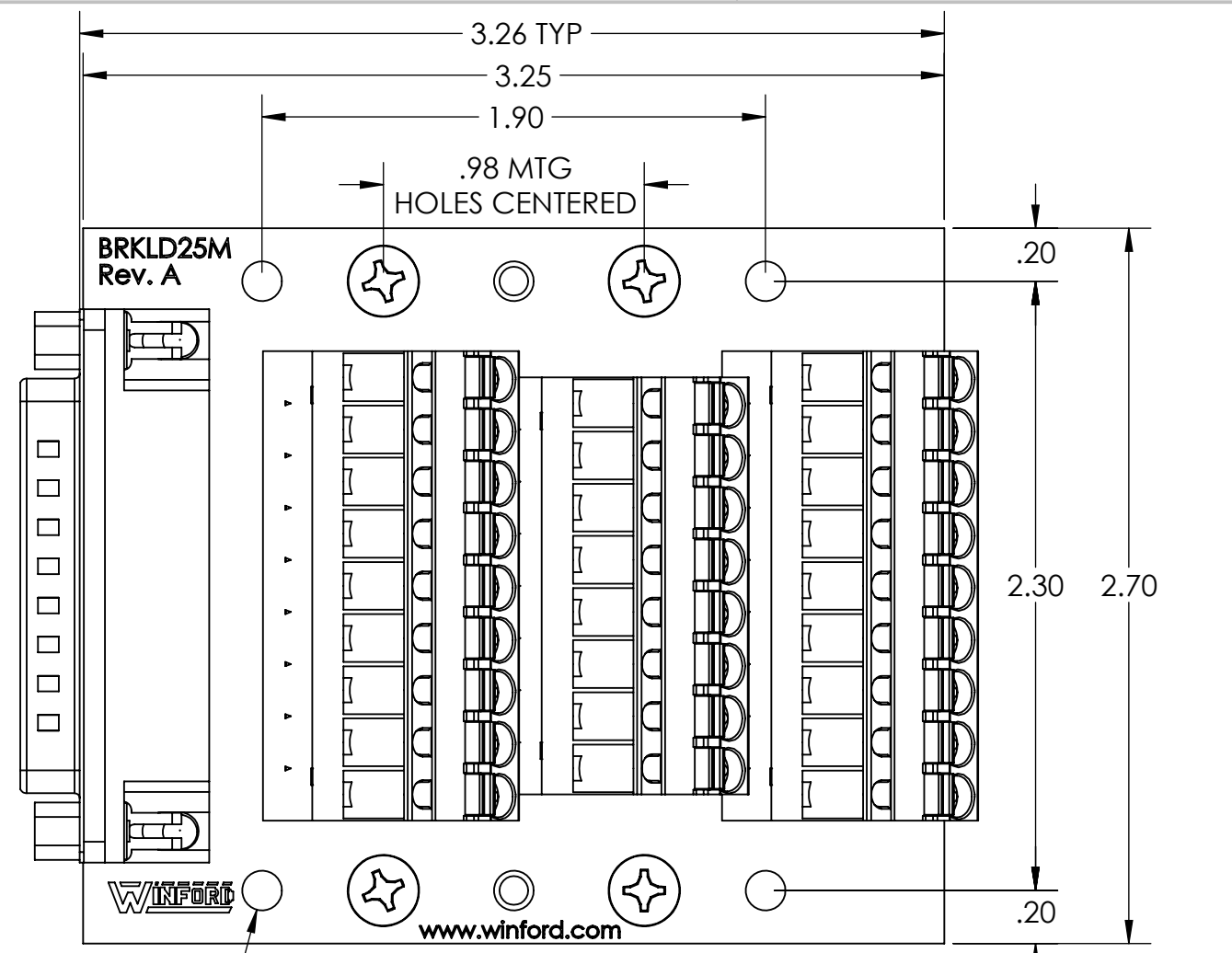
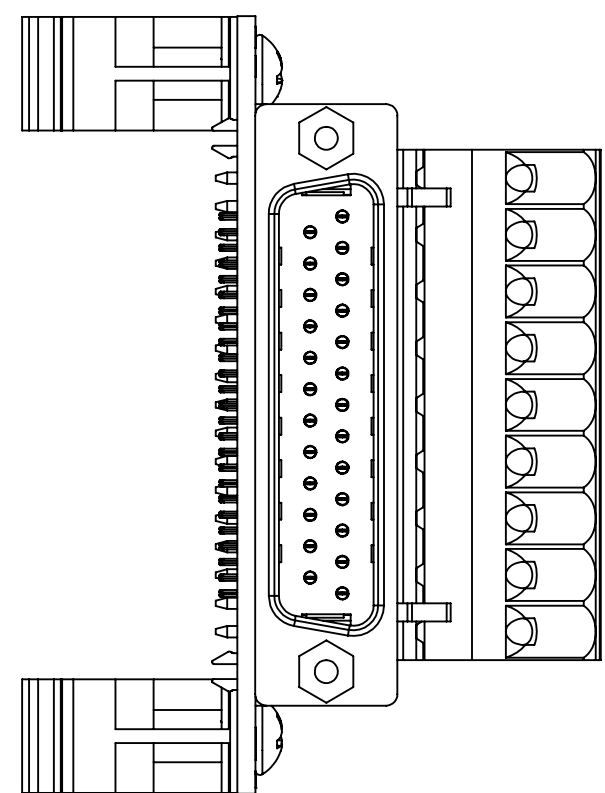
3

2

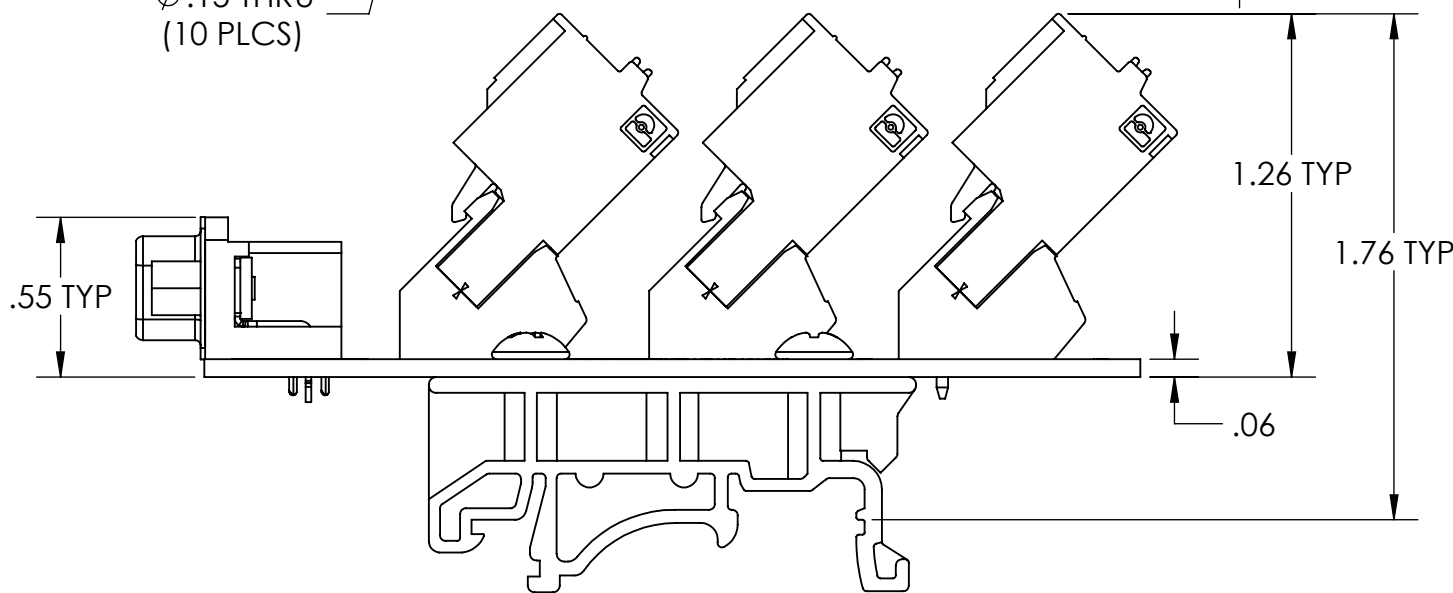
1

B

B

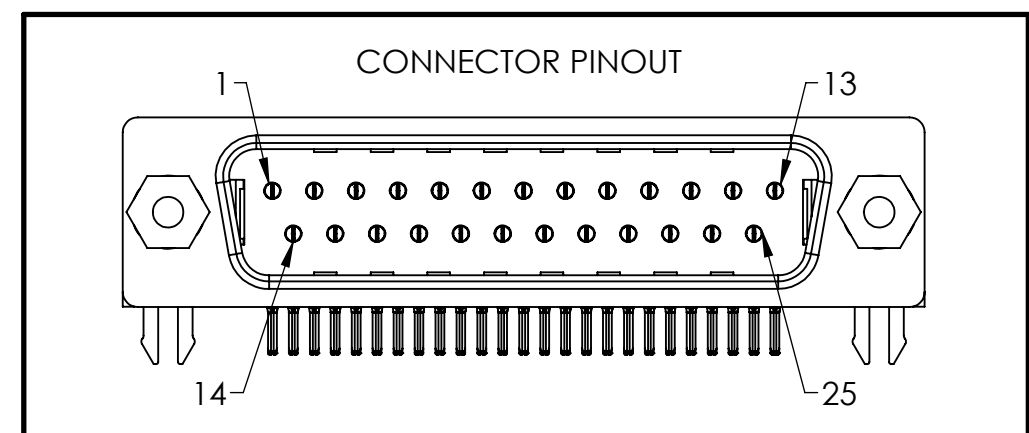


Ø .15 THRU
(10 PLCS)



A

A




4

3

2

1

DIM: INCH	DATE: 07/29/2020	RoHS COMPLIANT: YES	DESCRIPTION:
 WINFORD ENGINEERING, LLC 4561 GARFIELD ROAD AUBURN, MI 48611			DB25 Male Breakout
www.winford.com		989-671-9721	PART NUMBER (S)
			BRKLD25M-RG-DIN
			PART REVISION
			A