

4

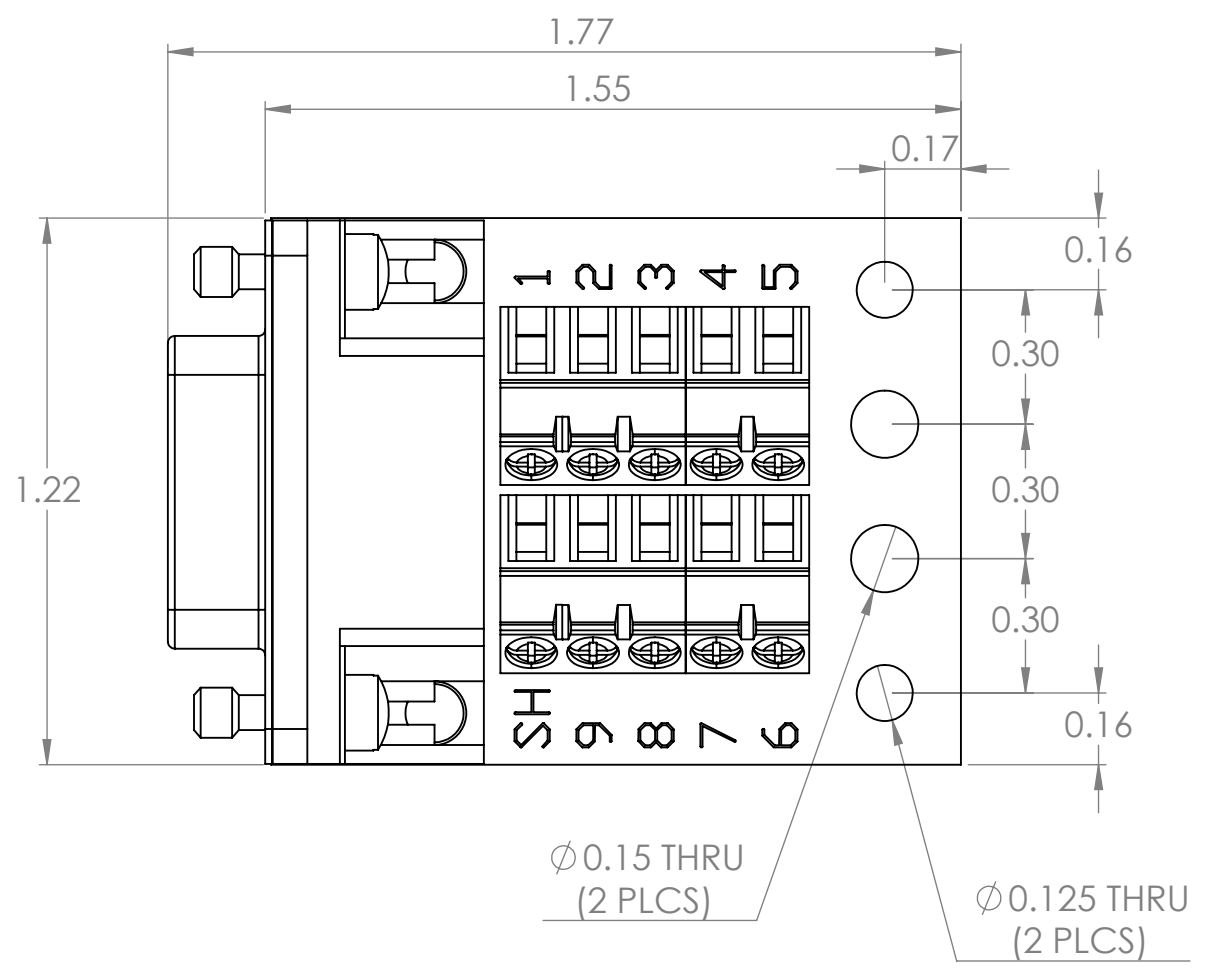
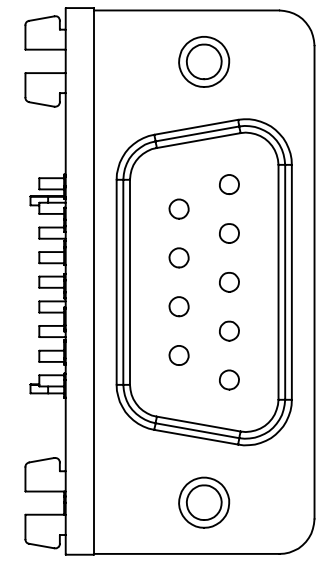
3

2

1

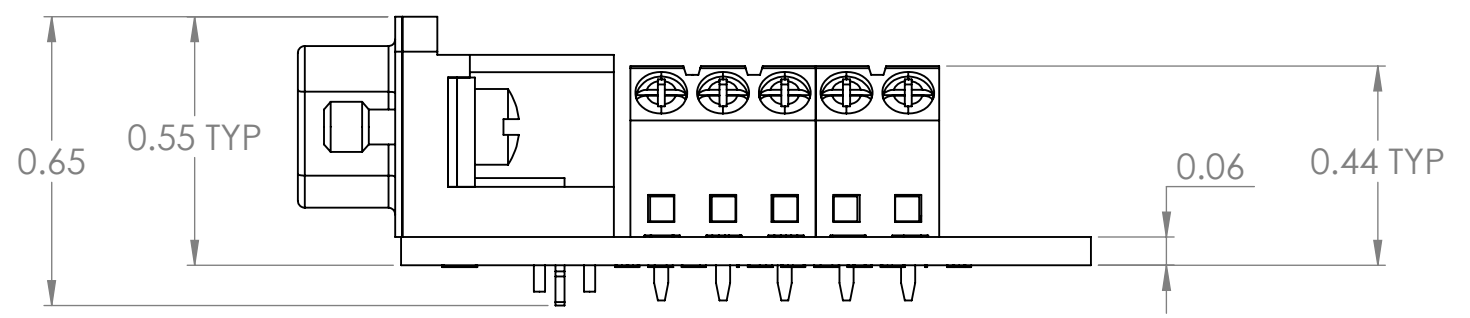
B

B

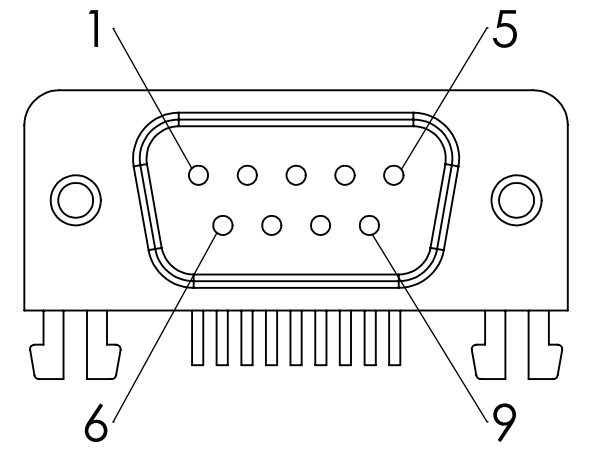


A

A



Connector Pinout
(Male)




4

3

2

1

| | | | | |
|----------------------------------------------------------------------------------------------------------------------------------------------------------|------------------|---------------------|-------------------------------------|---------------|
| DIM: INCH | DATE: 08/26/2021 | RoHS COMPLIANT: Yes | DESCRIPTION: | |
|  WINFORD ENGINEERING, LLC 4561 GARFIELD ROAD AUBURN, MI 48611 | | | DB9 Male Slim Breakout Board | |
| | | | PART NUMBER (S) | PART REVISION |
| www.winford.com | | 989-671-9721 | BRKSD9M-C | A |