

4

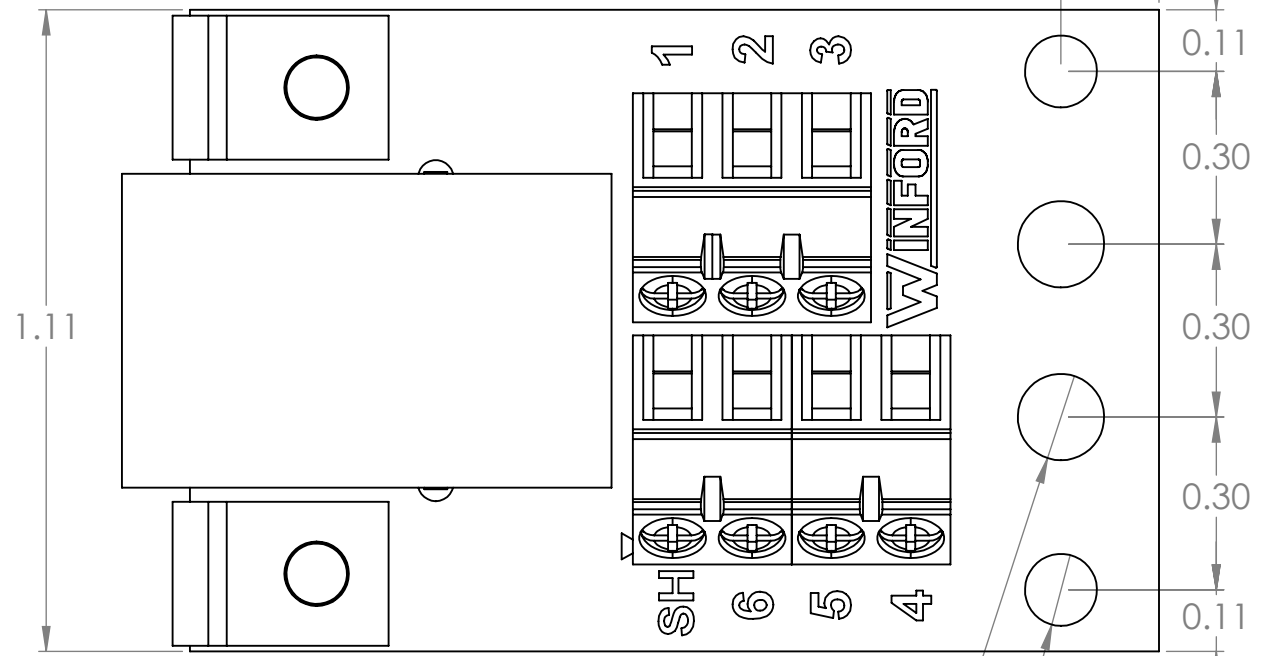
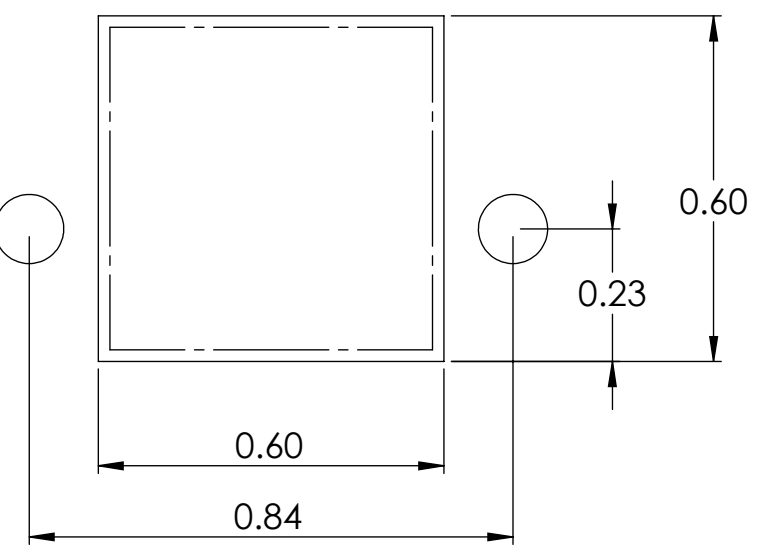
3

2

1

PANEL CUTOUT

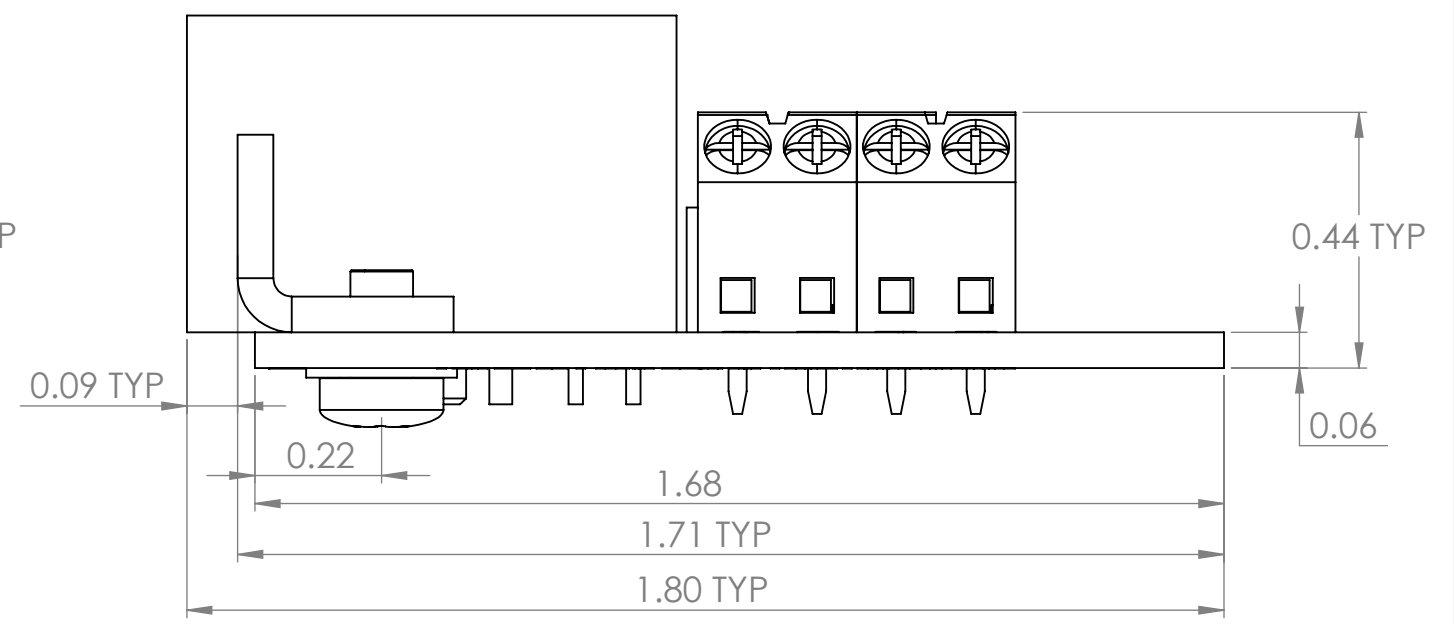
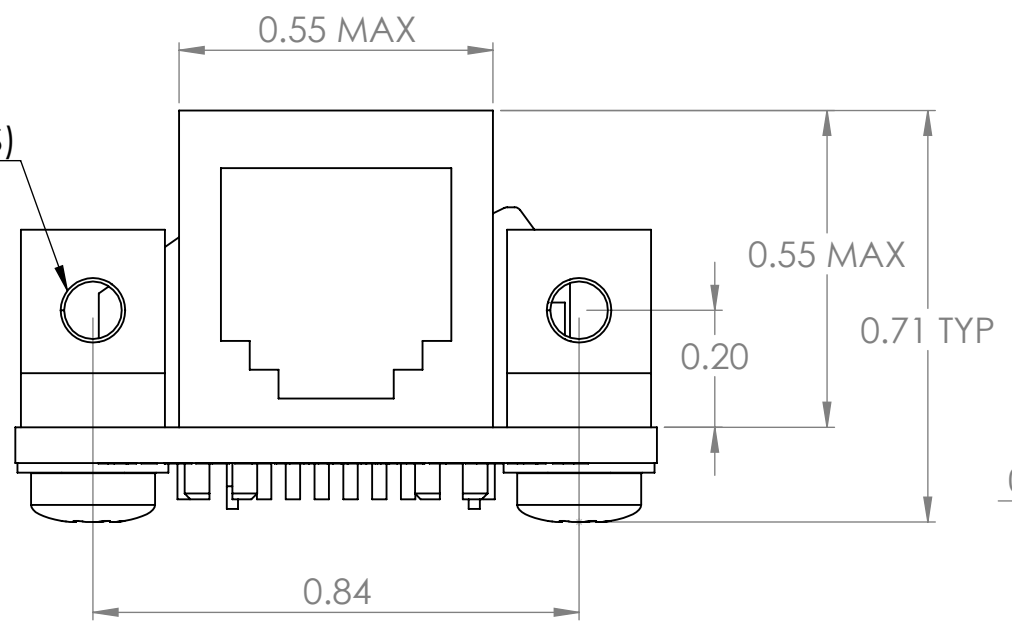
Ø0.12"
(#4 screw clearance)



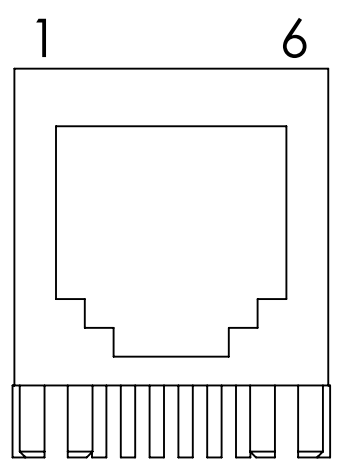
Ø0.15 (2 PLCS)


Ø0.13 (2 PLCS)

#4-40 Threads (2 PLCS)



Connector Pinout



DIM: INCH	DATE: 04/01/2021	RoHS COMPLIANT: Yes	DESCRIPTION:
 WINFORD ENGINEERING, LLC 4561 GARFIELD ROAD AUBURN, MI 48611			Panel Mount 6P6C Shielded Jack Breakout
www.winford.com		989-671-9721	PART NUMBER (S) BRKSM6P6CSJ-R-P
			PART REVISION A

4

3

2

1