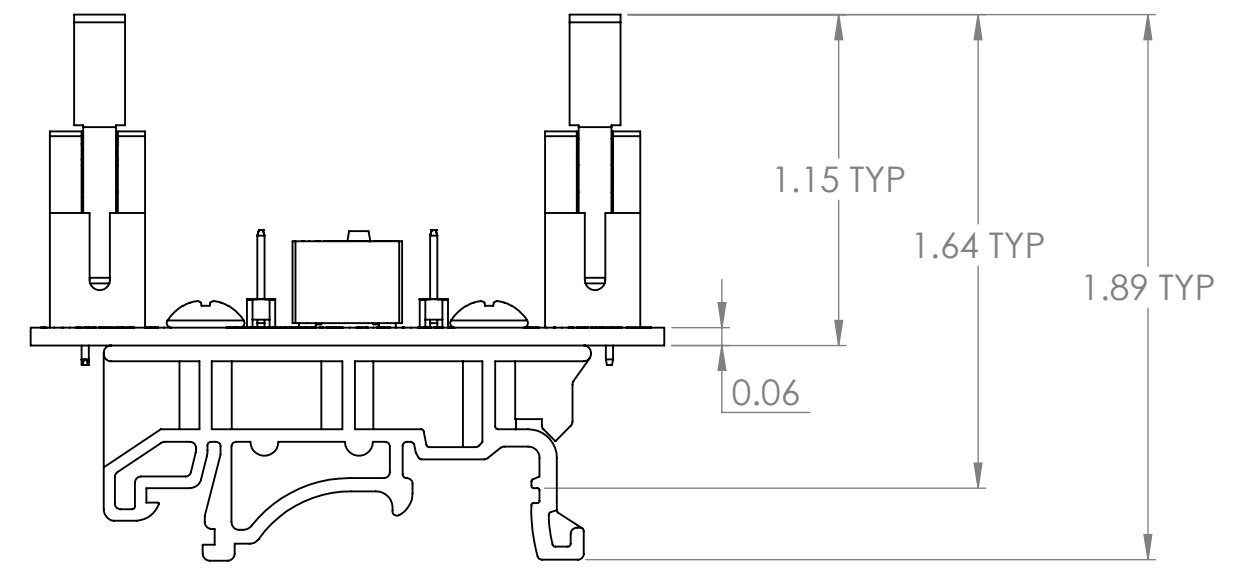
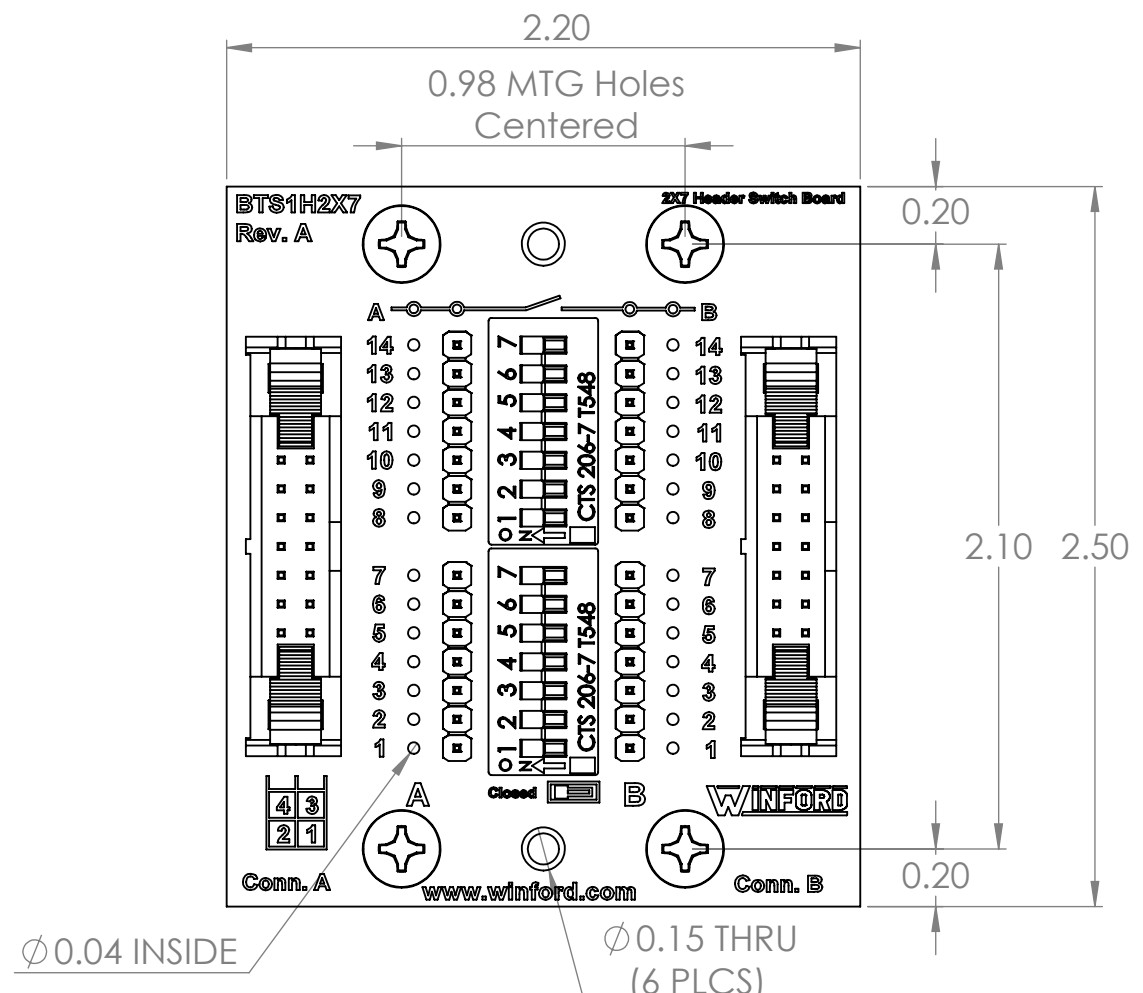
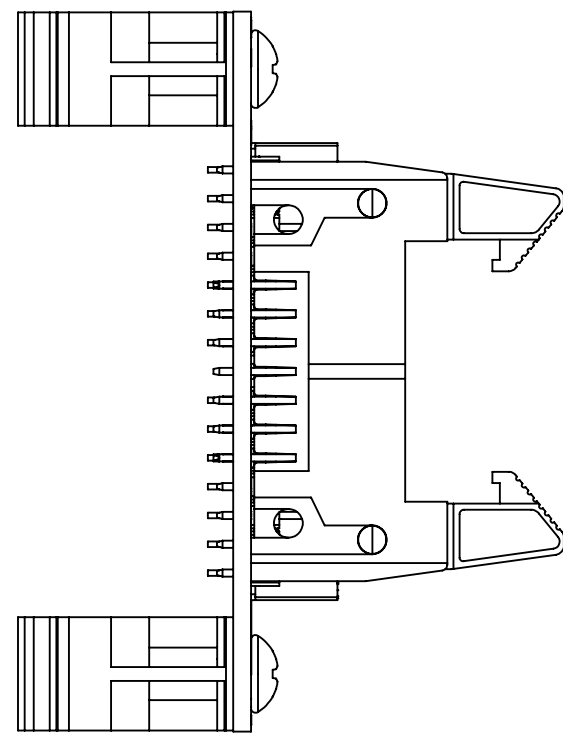


4

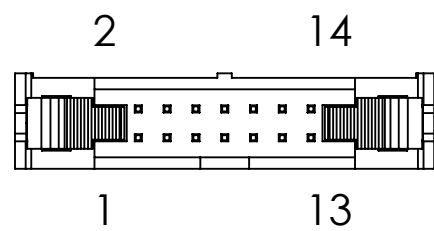
3


2

1



Connector Pinout



DIM: INCH	DATE: 1/06/2022	RoHS COMPLIANT: Yes	DESCRIPTION: 2x7 0.1" Header Diagnostic Breakout Board
		WINFORD ENGINEERING, LLC 4561 GARFIELD ROAD AUBURN, MI 48611	PART NUMBER (S) BTS1H2X7-DIN
www.winford.com		989-671-9721	PART REVISION A

4

3

2

1