

4

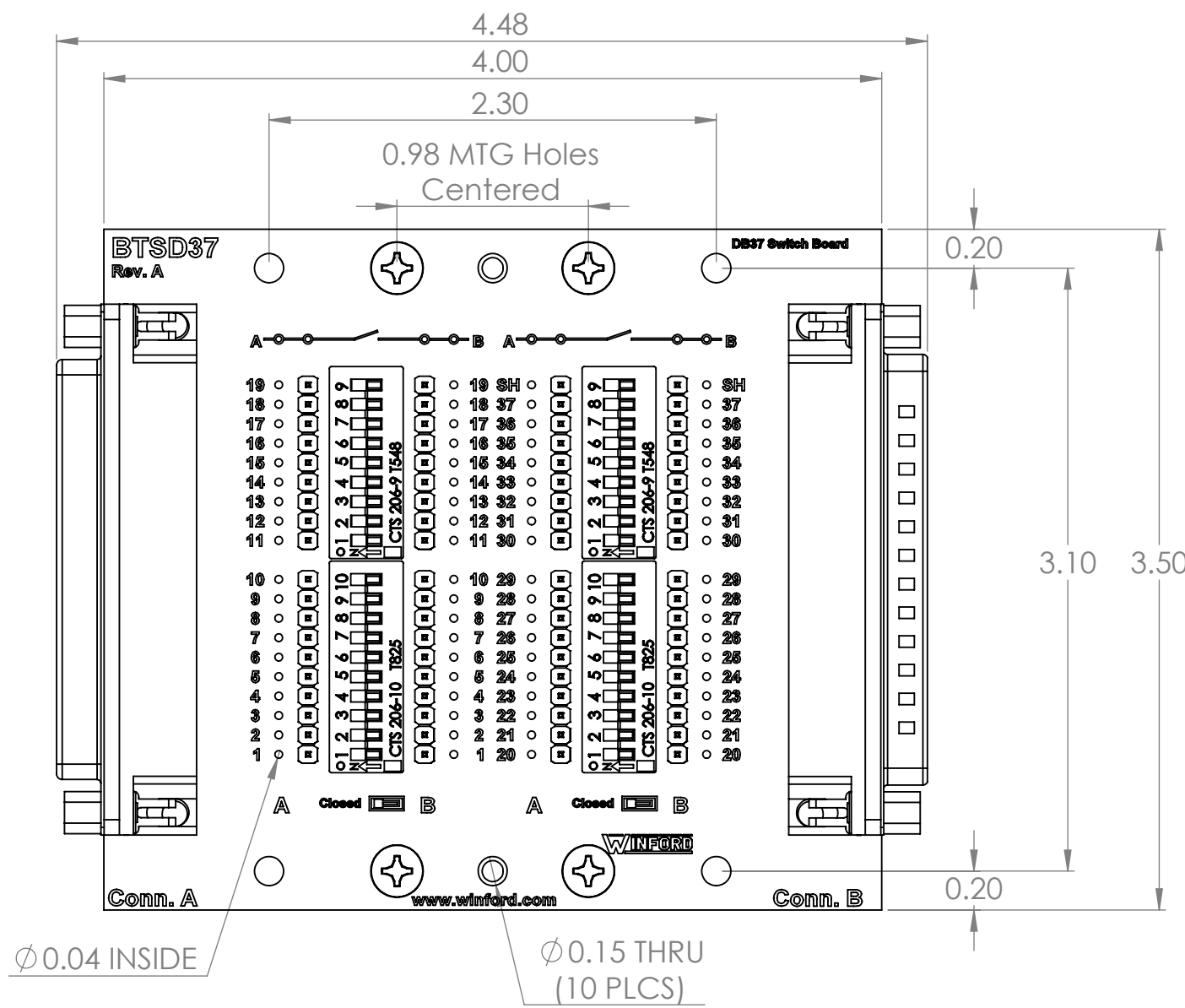
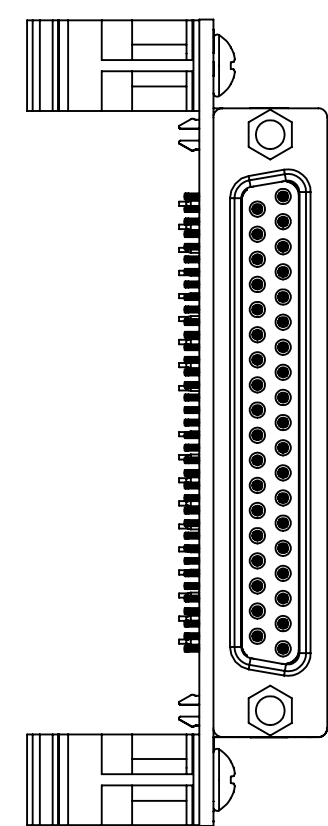
3

2

1

B

B



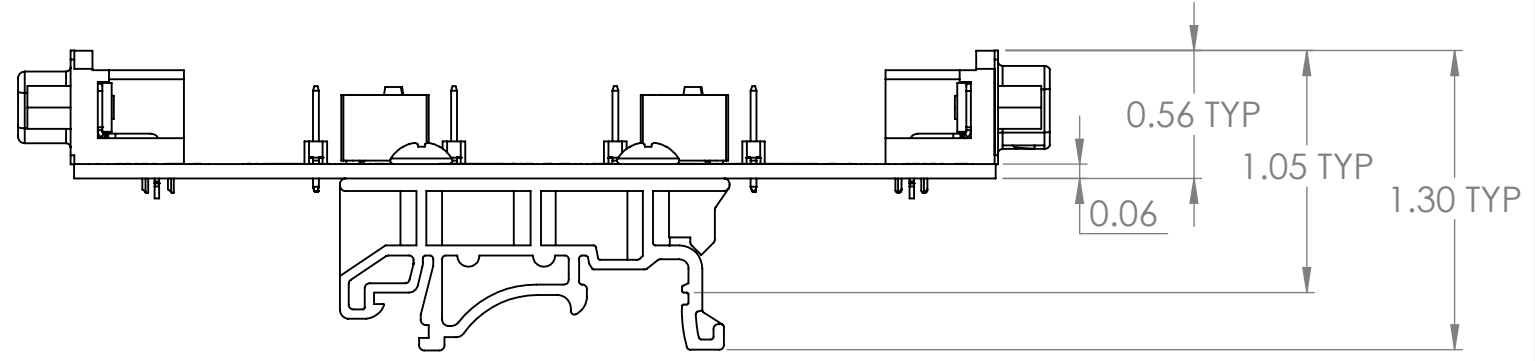
3.10 3.50

0.20

0.20

Ø 0.04 INSIDE

Ø 0.15 THRU (10 PLCS)



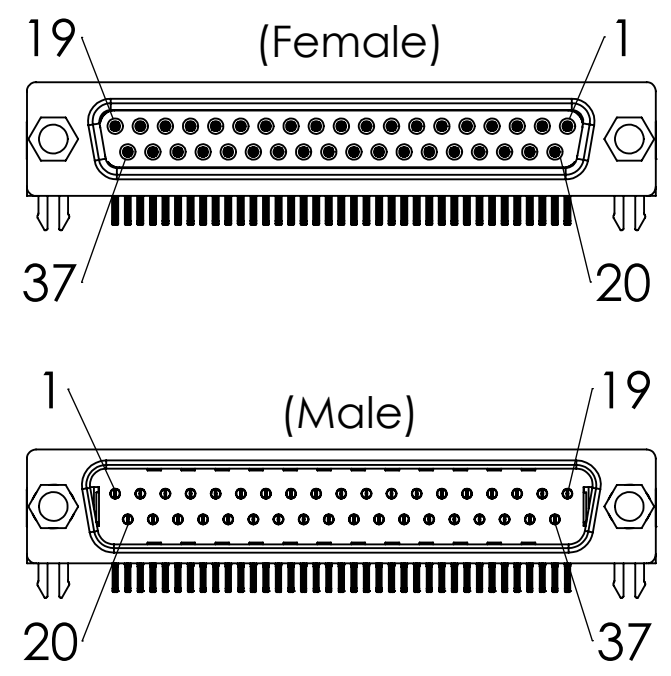
0.56 TYP

1.05 TYP

1.30 TYP

0.06

Connector Pinout



4


3

2

1

A

A

DIM: INCH	DATE: 12/01/2021	RoHS COMPLIANT: Yes	DESCRIPTION:
 WINFORD ENGINEERING, LLC 4561 GARFIELD ROAD AUBURN, MI 48611			DB37 Diagnostic Breakout Switch Board
www.winford.com		989-671-9721	PART NUMBER (S) BTSD37-R-DIN
			PART REVISION A