

4

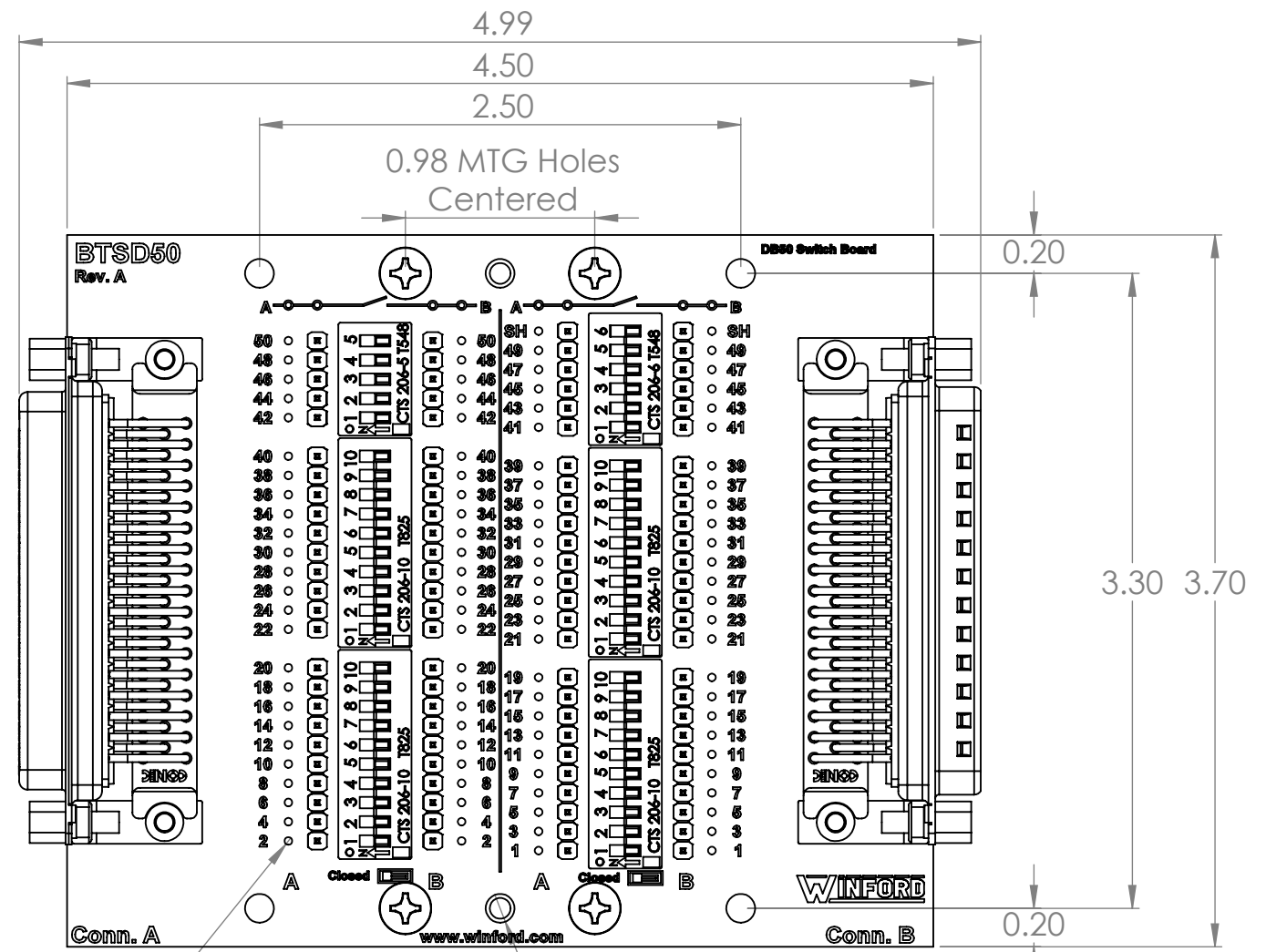
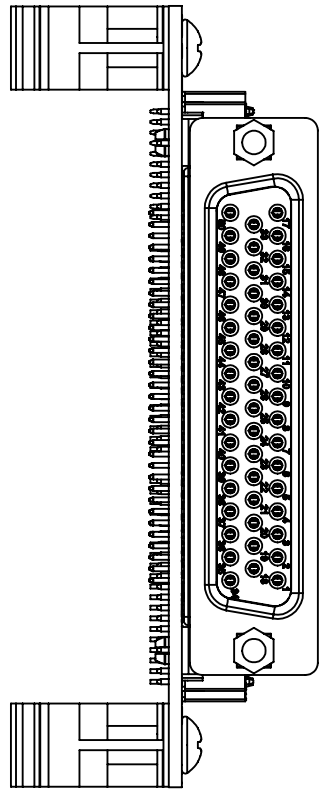
3

2

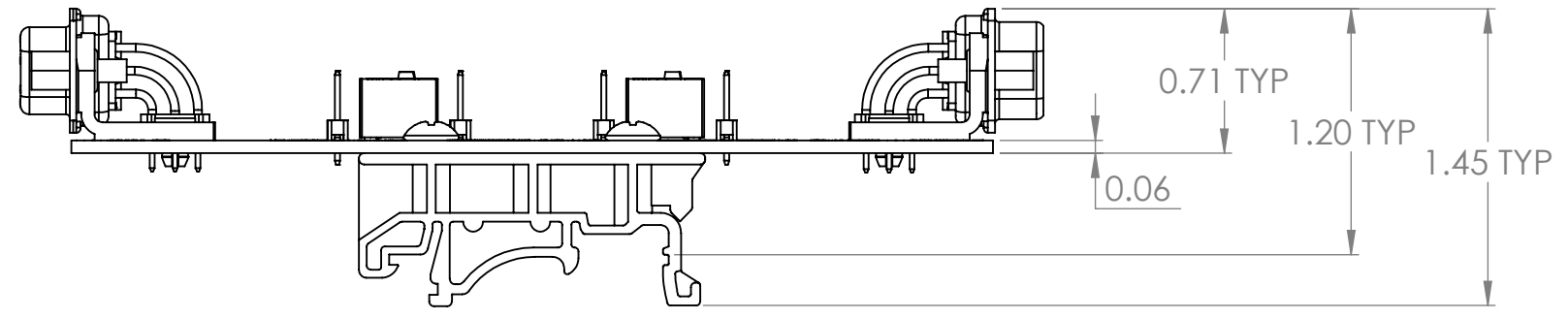
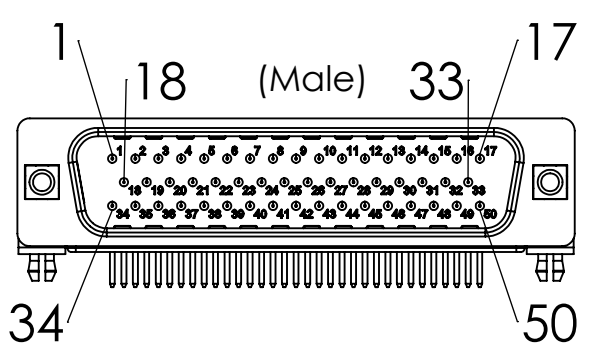
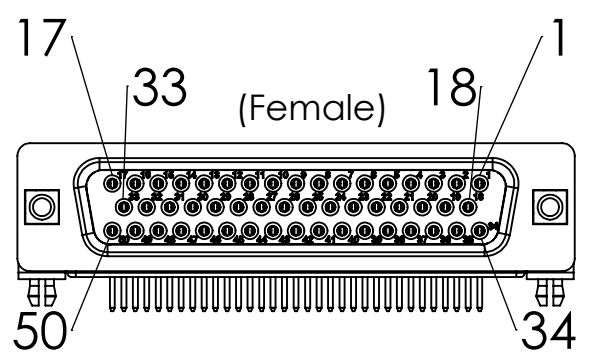
1

B

B



Connector Pinout



A


A

4

3

2

1

DIM: INCH	DATE: 12/09/2021	RoHS COMPLIANT: Yes	DESCRIPTION:
 WINFORD ENGINEERING, LLC 4561 GARFIELD ROAD AUBURN, MI 48611			DB50 Diagnostic Breakout Switch Board
www.winford.com		989-671-9721	PART NUMBER (S)
			BTSD50-R-DIN
			PART REVISION
			A