

4

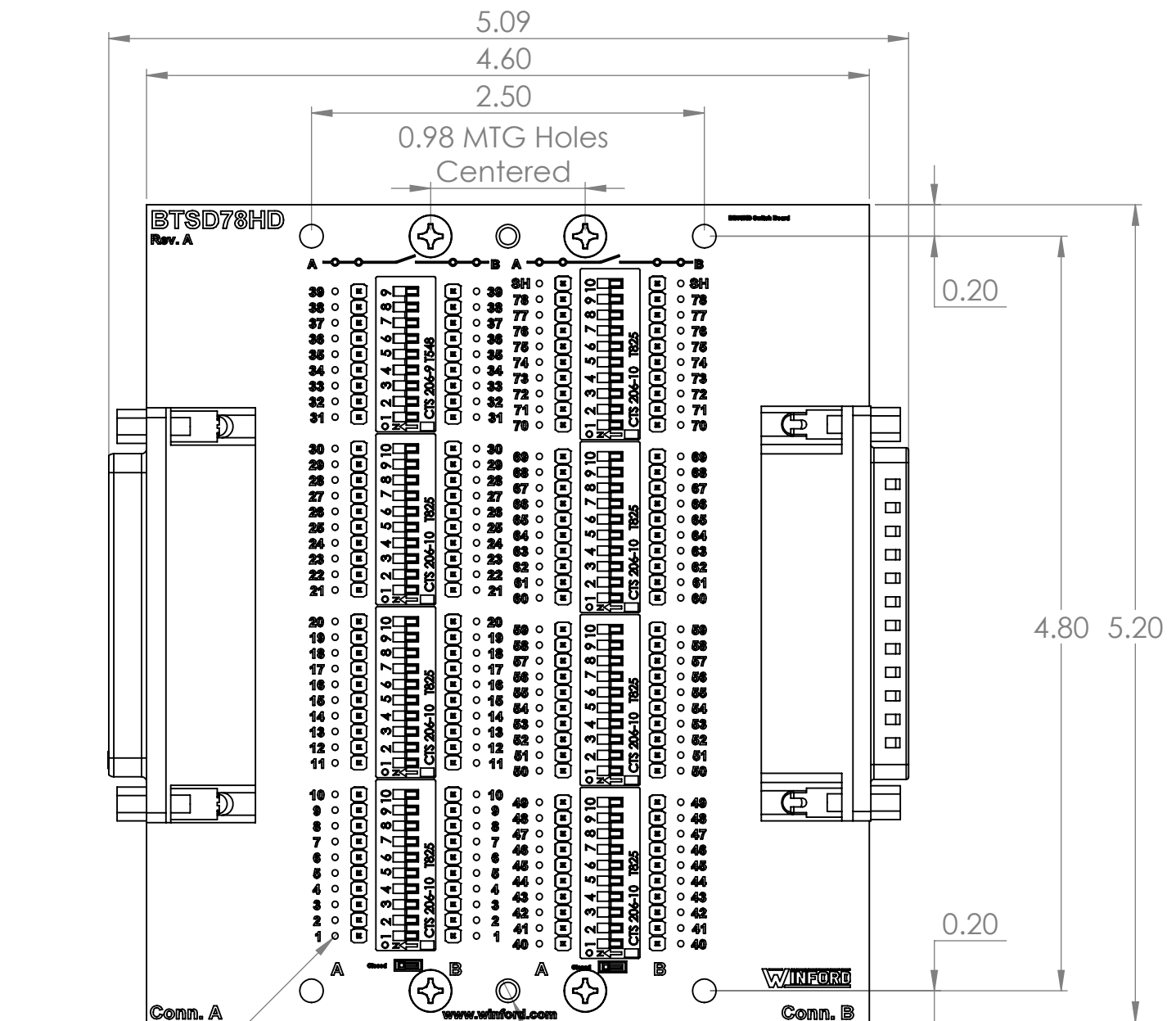
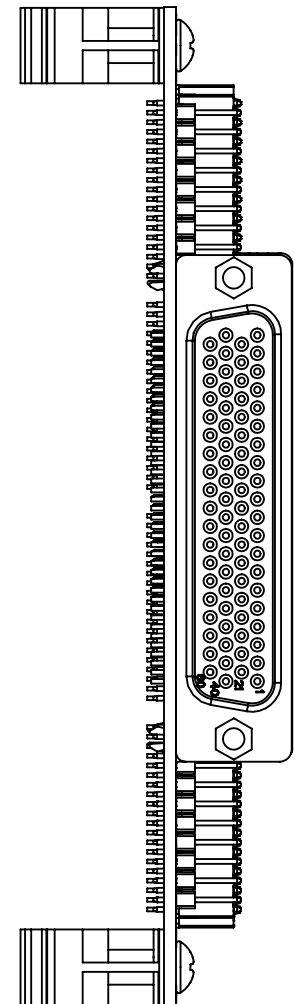
3

2

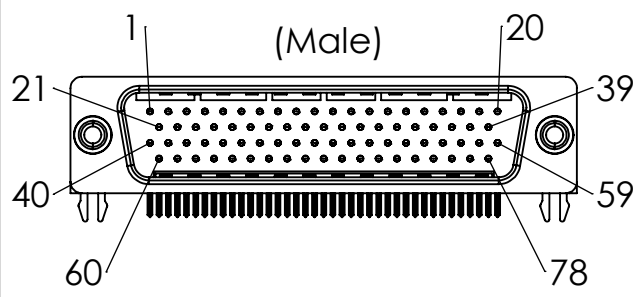
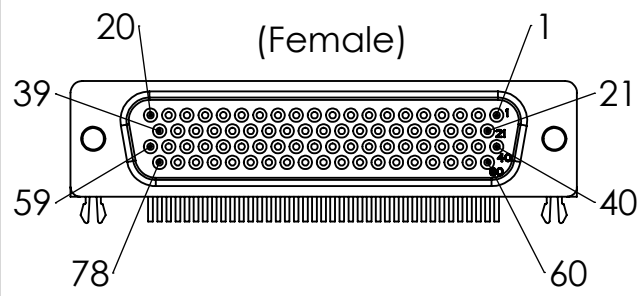
1

B

B



### Connector Pinout



4

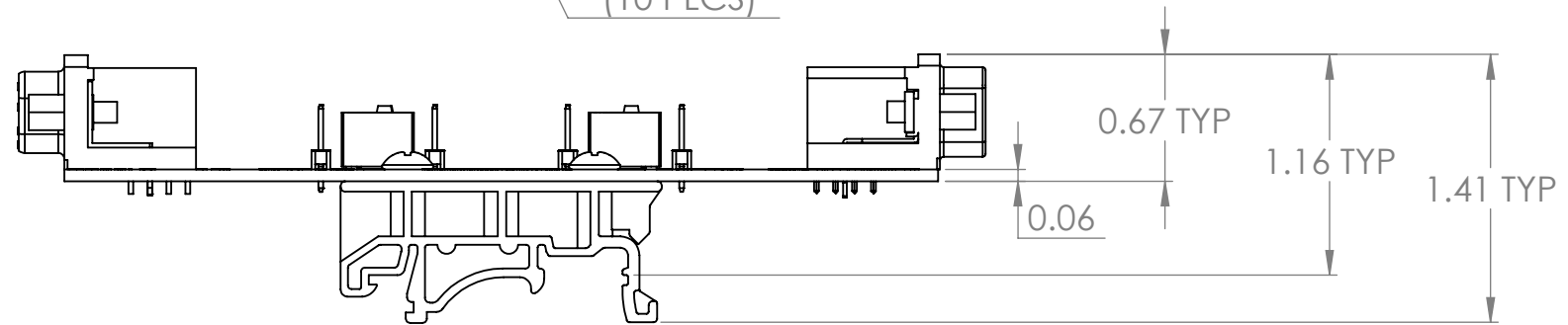
3


2

1

A

A



DIM: INCH	DATE: 03/17/2023	RoHS COMPLIANT: Yes	DESCRIPTION:
 WINFORD ENGINEERING, LLC 4561 GARFIELD ROAD AUBURN, MI 48611			DB78HD Diagnostic Breakout Switch Board
www.winford.com		989-671-9721	PART NUMBER (S)
			PART REVISION
BTSD78HD-R-DIN			A