

4

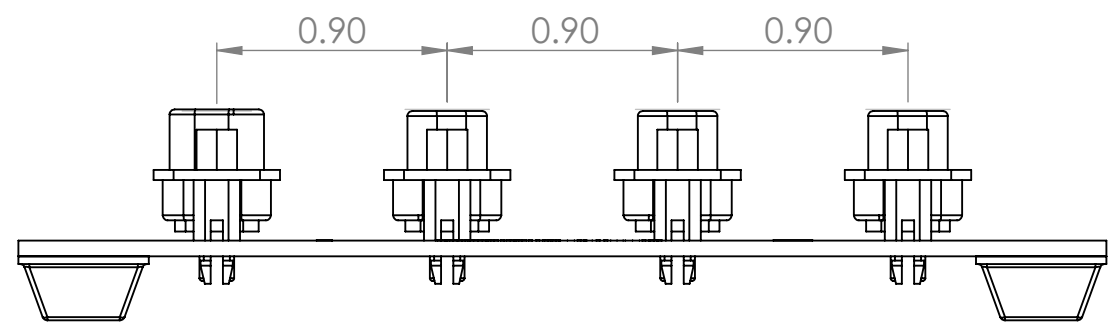
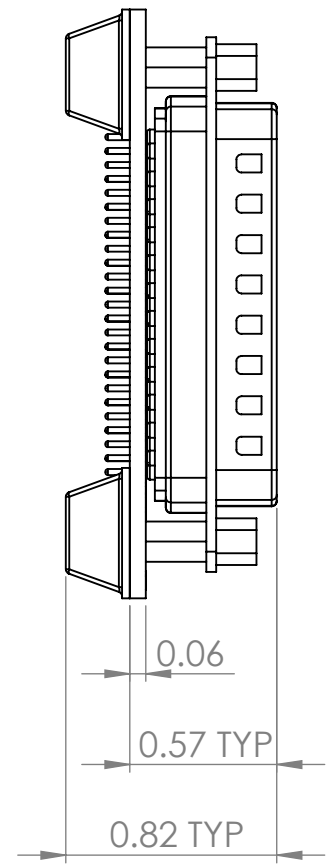
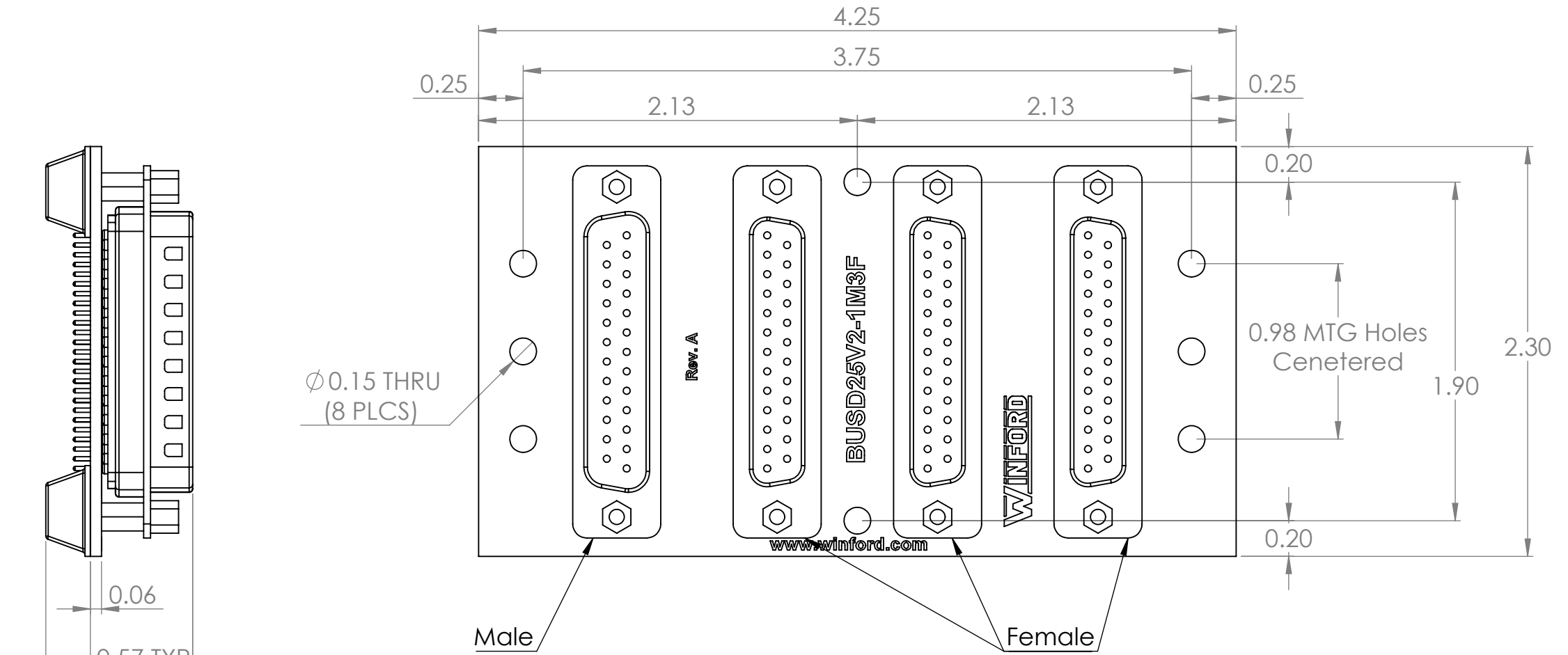
3

2

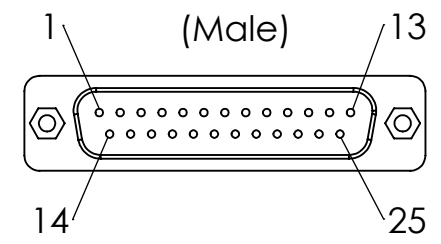
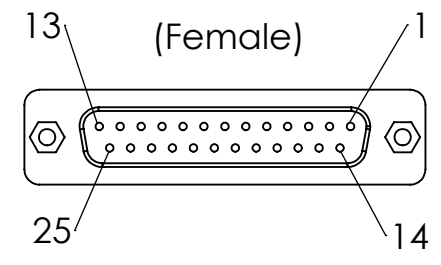
1

B

B



Connector Pinout



4


3

2

1

A

A

DIM: INCH	DATE: 07/11/2022	RoHS COMPLIANT: Yes	DESCRIPTION:
 WINFORD ENGINEERING, LLC 4561 GARFIELD ROAD AUBURN, MI 48611			DB25 Bus Board
www.winford.com			989-671-9721
PART NUMBER (S)			PART REVISION
BUSD25V2-1M3F-FT			A