

4

3

2

1

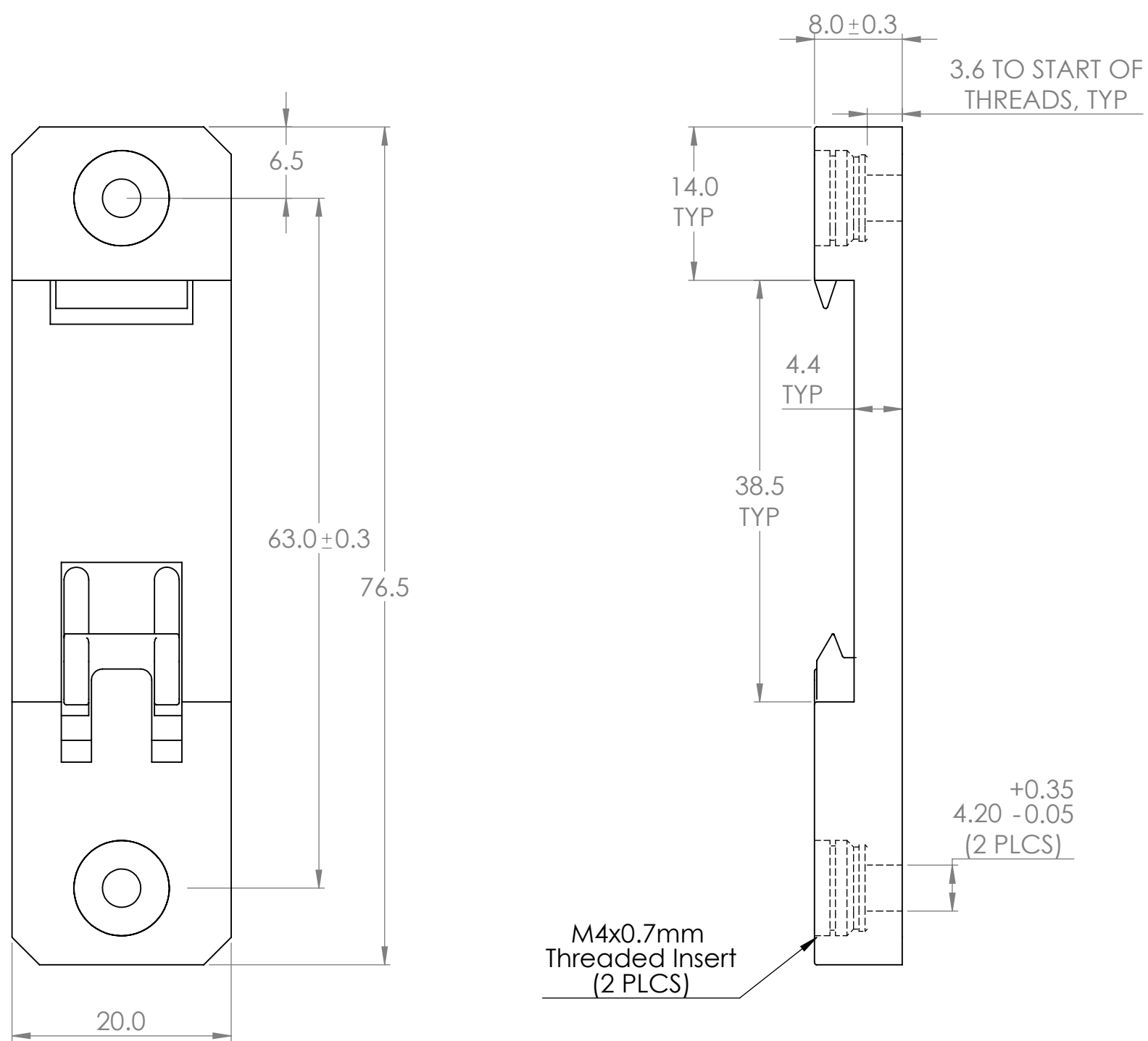
B

B

A


A

MOUNT THIS END UP



Clip Material: Fiberglass reinforced nylon 66 (PA66+GF30%)

Tolerance: ±0.5mm unless otherwise specified.  
Dimensions labeled "TYP" are not toleranced.

DIM: MM	DATE: 02/17/21	RoHS COMPLIANT: Yes	DESCRIPTION:	
 WINFORD ENGINEERING, LLC 4561 GARFIELD ROAD AUBURN, MI 48611			DIN Rail Mounting Clip, 20mm Width - Threaded Insert	
			PART NUMBER (S)	PART REVISION
www.winford.com			DINM12TH-RC	A

4

3

2

1