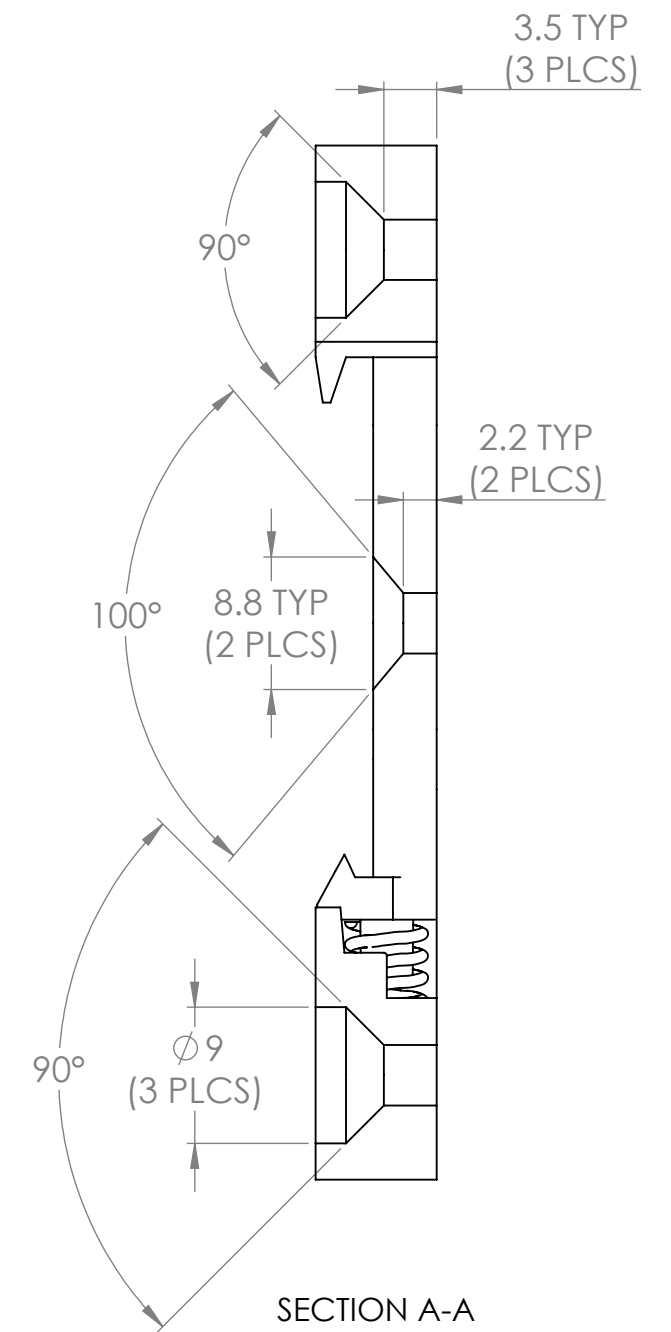
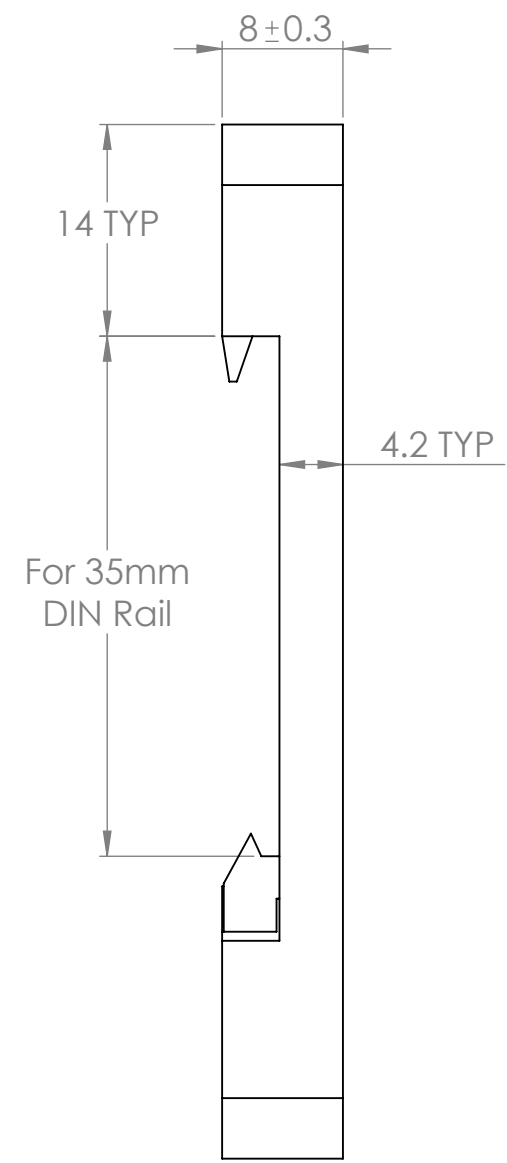
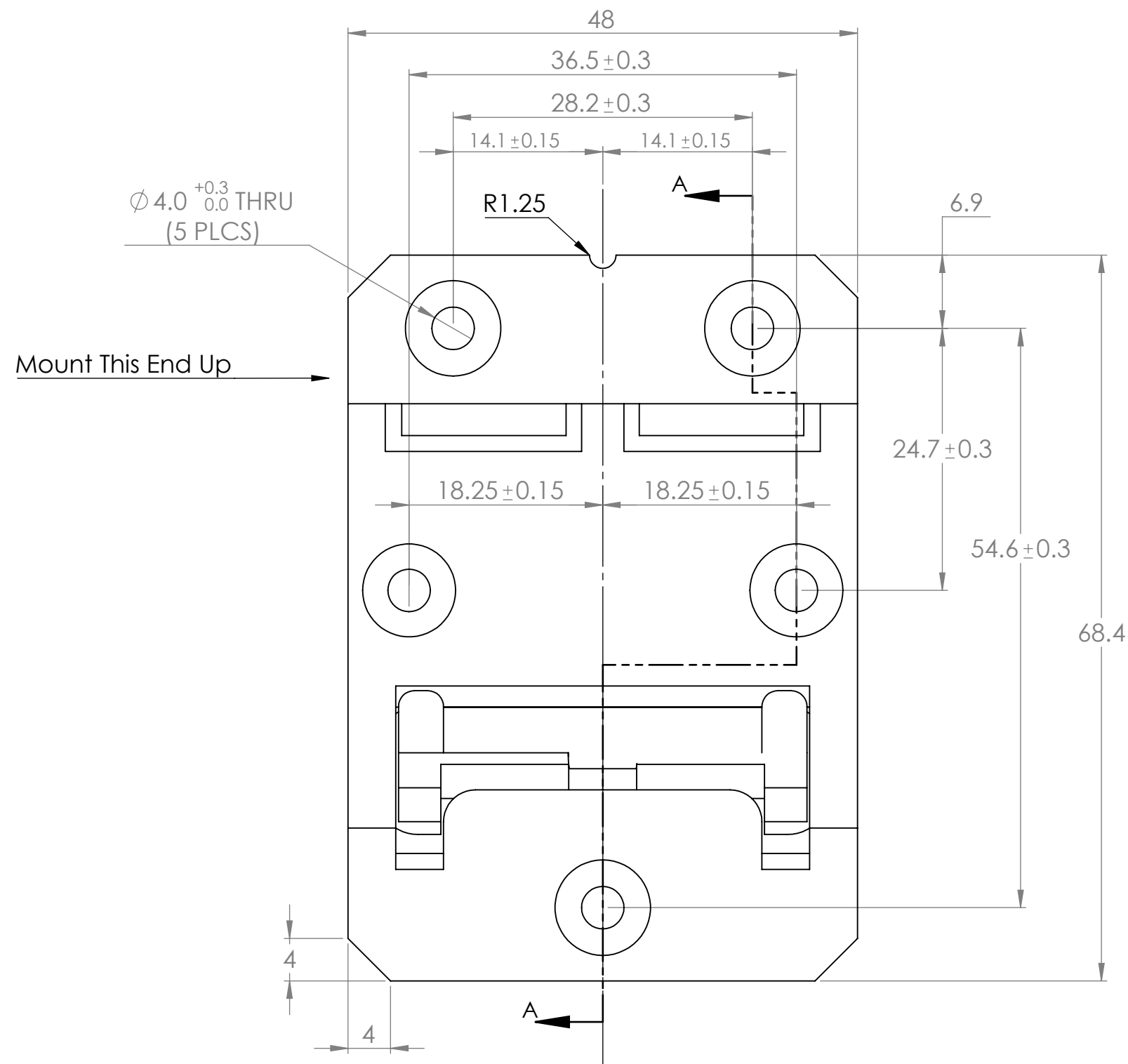


4

3

2

1



Clip Material: Fiberglass reinforced nylon 66 (PA66+GF30%)
 Tolerance: ± 0.5 mm unless otherwise specified. Dimensions labeled "TYP" are not toleranced.

7/15/22	Added hole diameter tolerance; added section view
8/23/19	Added additional tolerance information.
5/17/19	Added R1.25 notch for easy identification.
6/30/16	Added hole-hole distance tolerances.
Date	

DIM: MM	DATE: 07/15/22	RoHS COMPLIANT: Yes
WINFORD		
WINFORD ENGINEERING, LLC 4561 GARFIELD ROAD AUBURN, MI 48611		
www.winford.com		989-671-9721

DESCRIPTION:	
DIN Rail Mounting Clip, 48mm Width (Legacy)	
PART NUMBER (S)	PART REVISION
DINM15-RC	A

4

3

2

1