

4

3

2

1

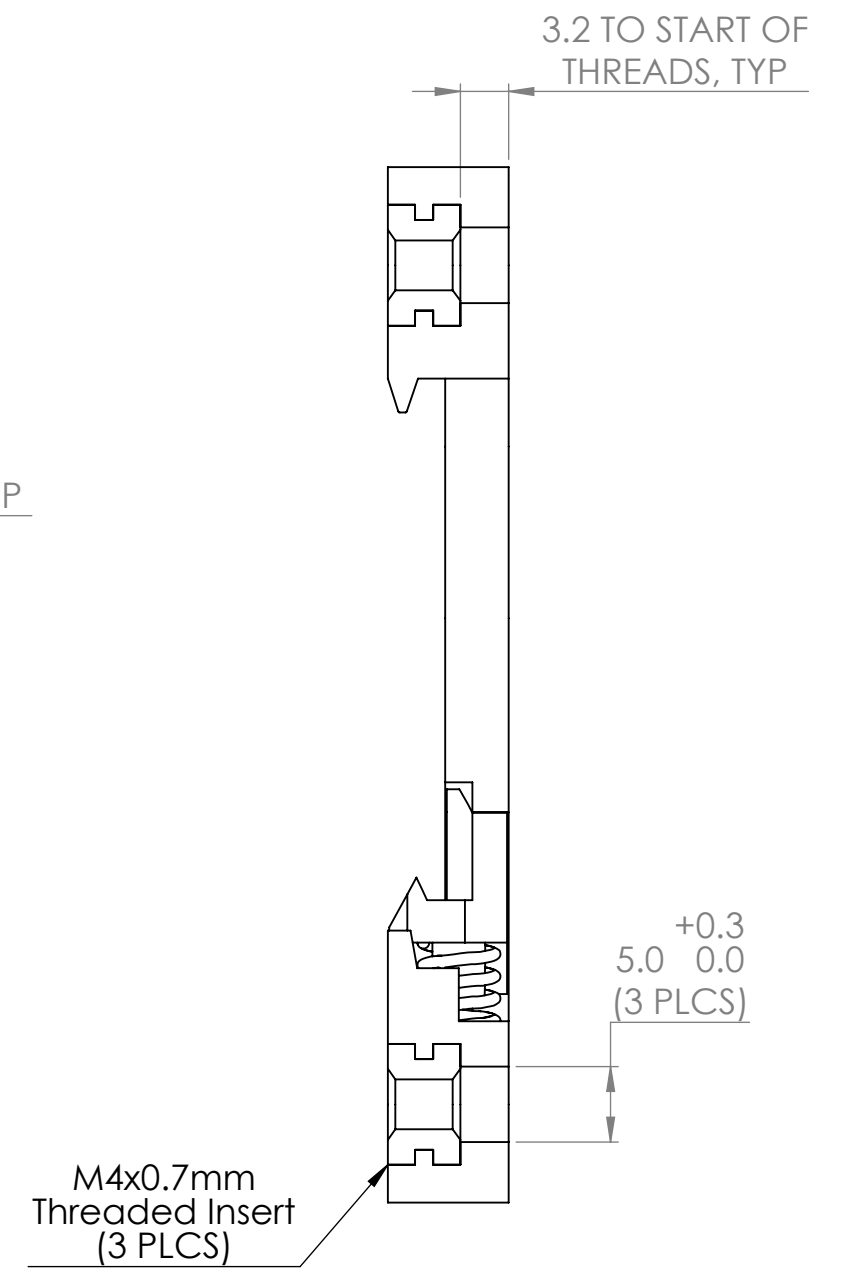
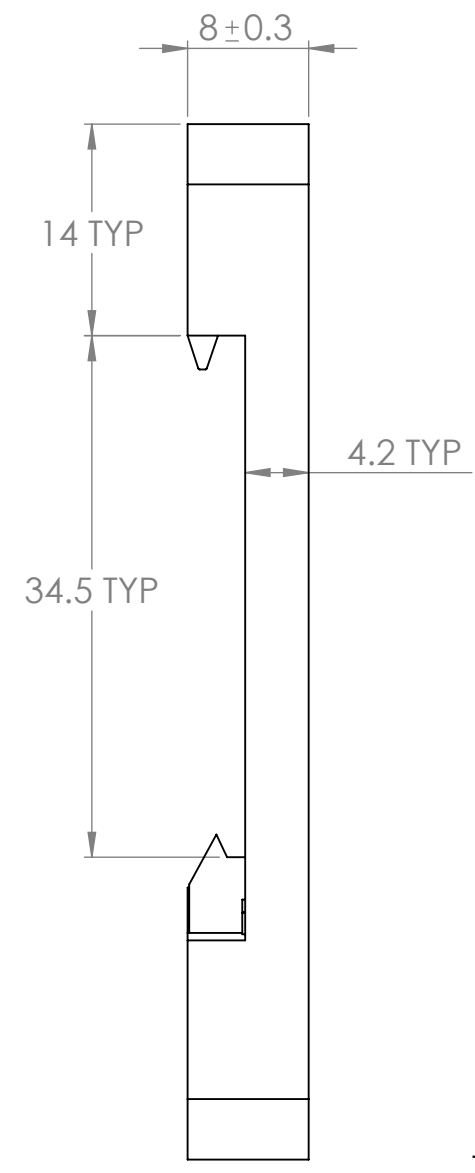
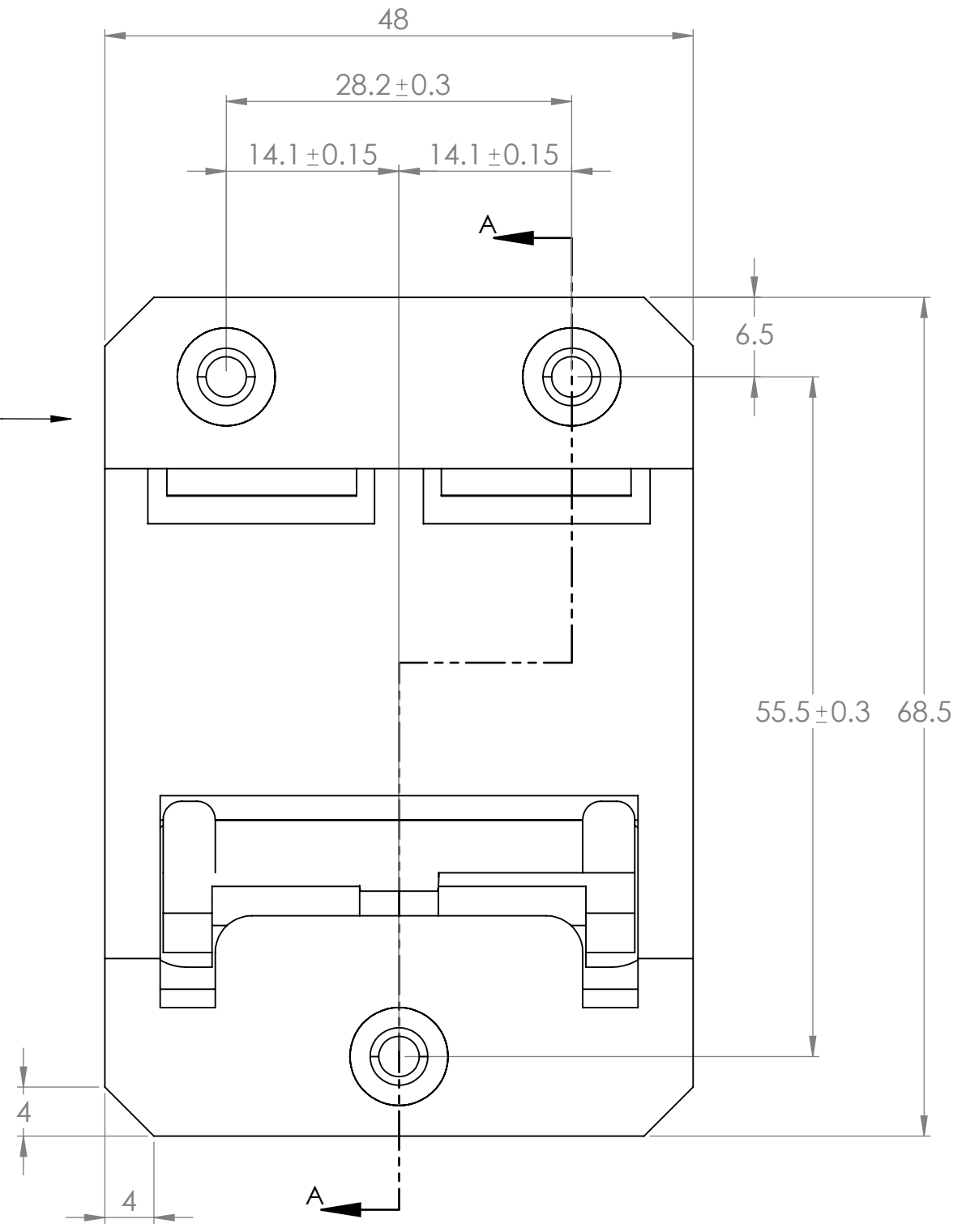
B

B

A

A


Mount This End Up



SECTION A-A

Clip Material: Fiberglass reinforced nylon 66 (PA66+GF30%)

Tolerance: ±0.5mm unless otherwise specified.
Dimensions labeled "TYP" are not toleranced.

DIM: MM	DATE: 08/31/2022	RoHS COMPLIANT: Yes	DESCRIPTION:	
 WINFORD ENGINEERING, LLC 4561 GARFIELD ROAD AUBURN, MI 48611			DIN Rail Mounting Clip, 48mm Width - Threaded Insert	
			PART NUMBER (S): DINM15V2TH-RC	
www.winford.com			989-671-9721	

4

3

2

1