

4

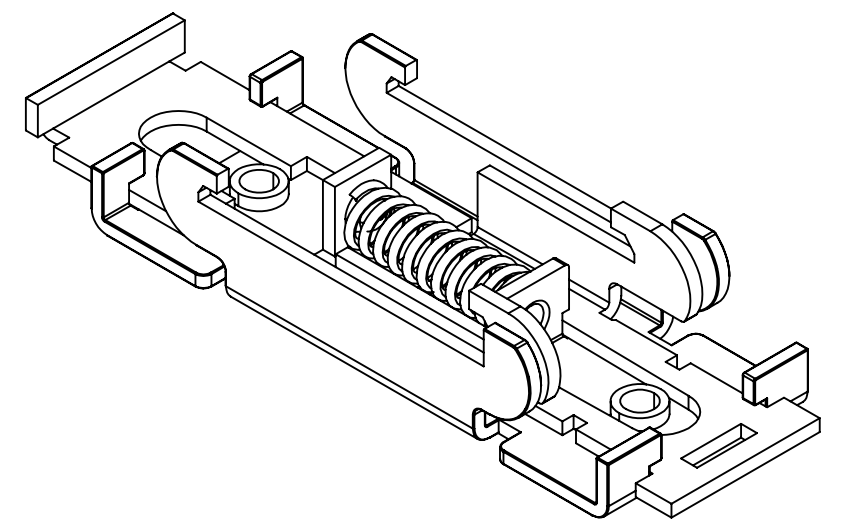
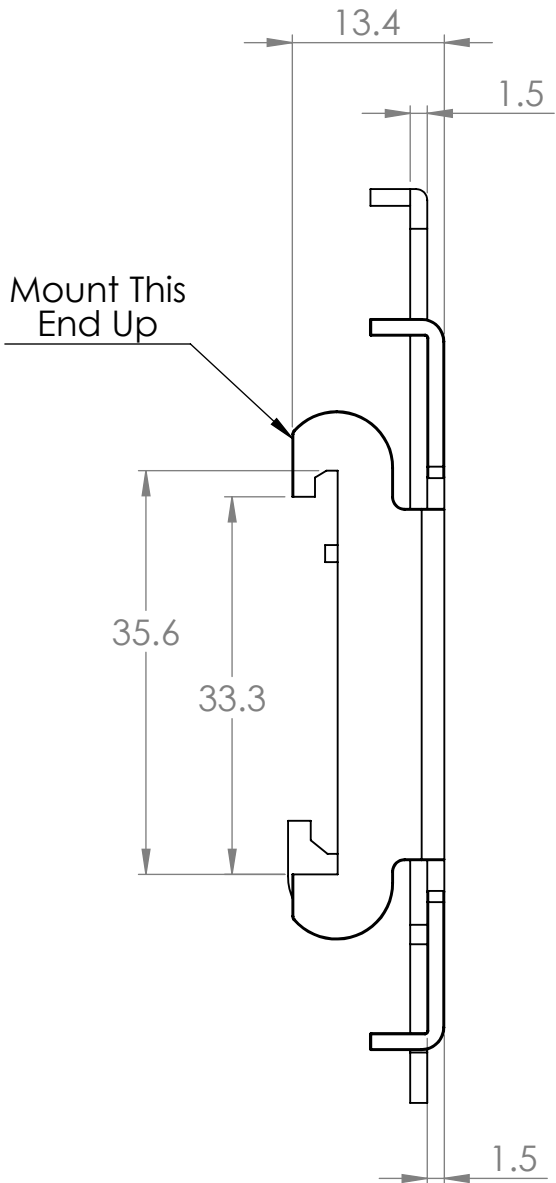
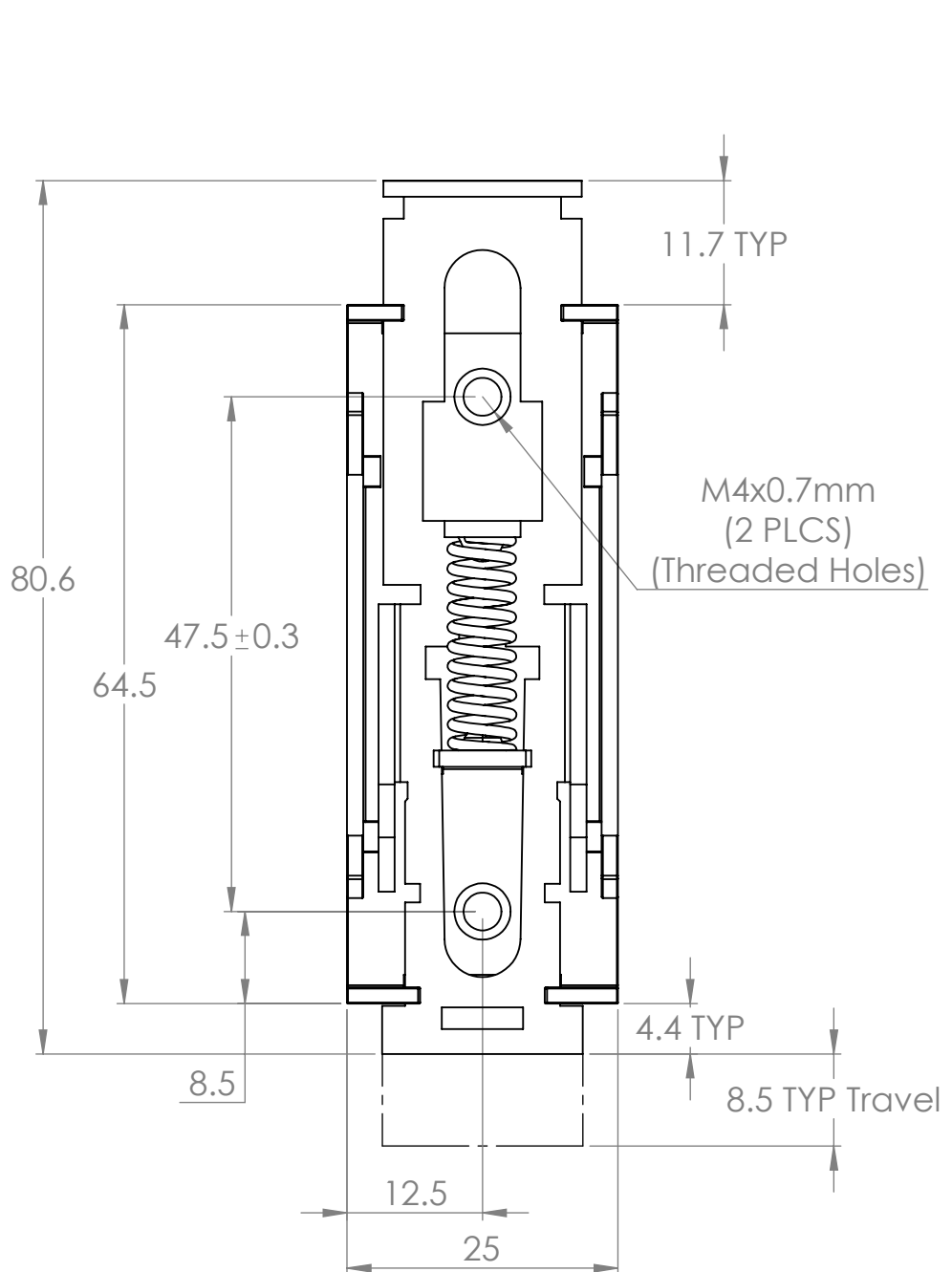
3

2

1

B

B



A

A


4

3

2

1

Material: Steel, Nickel Plated

DIM: MM	DATE: 07/19/2022	RoHS COMPLIANT: Yes	DESCRIPTION:		
 WINFORD ENGINEERING, LLC 4561 GARFIELD ROAD AUBURN, MI 48611			DIN Rail Mounting Clip, 25mm Width, Threaded Holes		
			PART NUMBER (S)	PART REVISION	
www.winford.com			989-671-9721	DINM23LR	A