

4

3

2

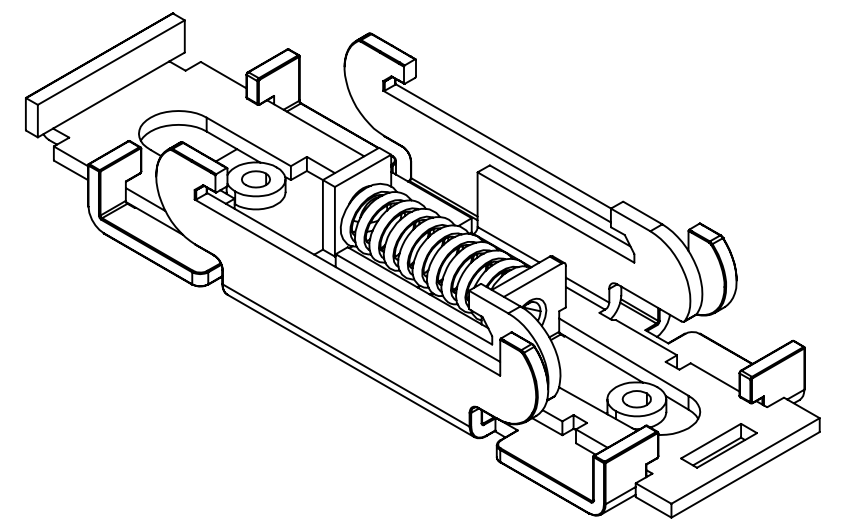
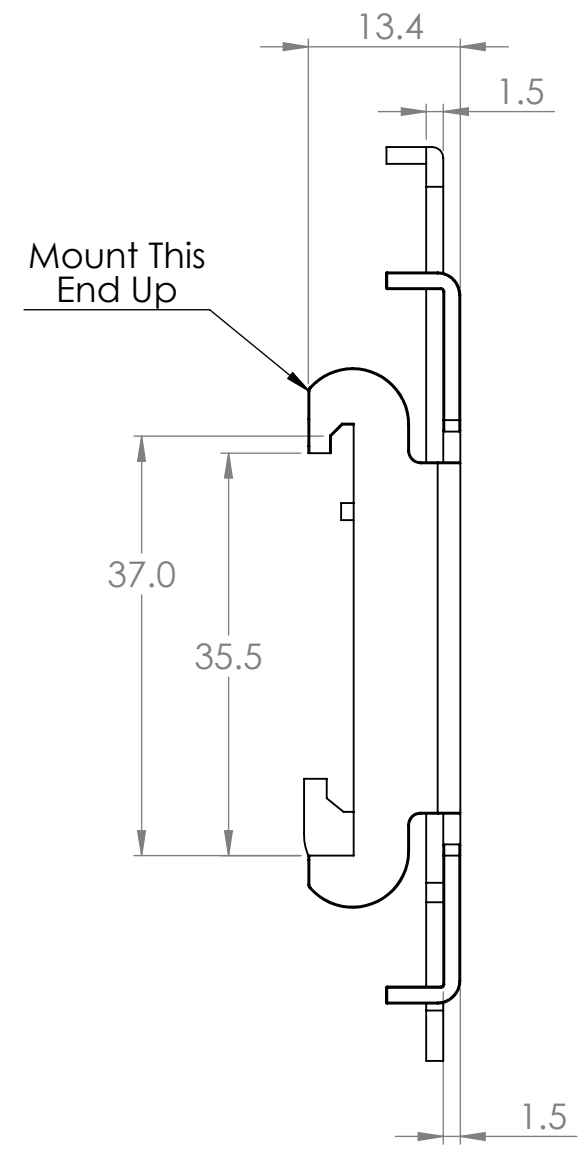
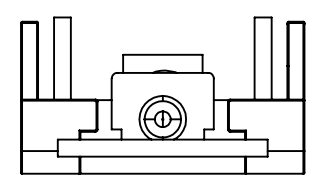
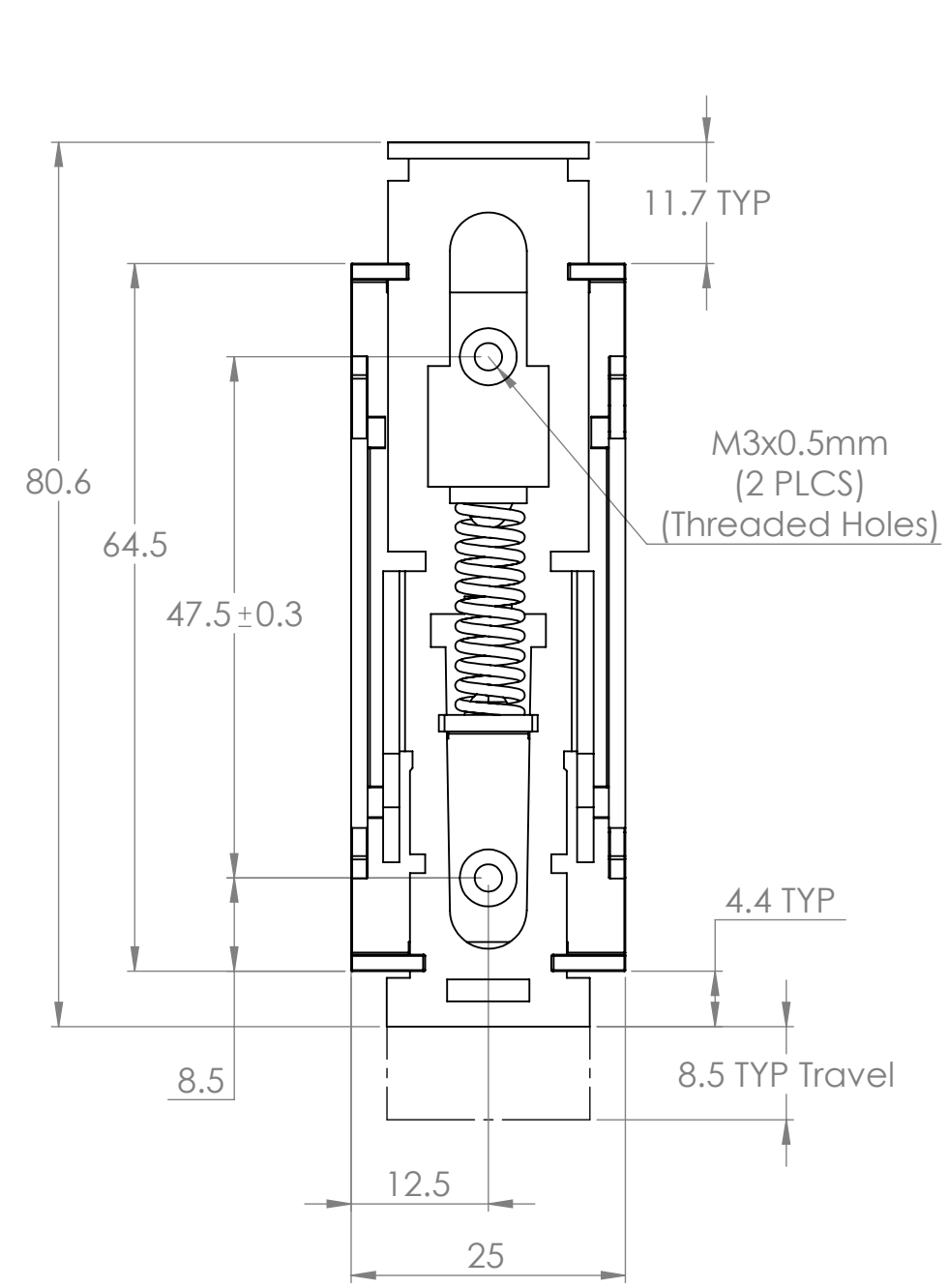
1

B


B

A

A



**Material: Steel, Nickel Plated**

DIM: MM	DATE: 07/19/2022	RoHS COMPLIANT: Yes	DESCRIPTION:		
 WINFORD ENGINEERING, LLC 4561 GARFIELD ROAD AUBURN, MI 48611			DIN Rail Mounting Clip, 25mm Width, Threaded Holes		
			PART NUMBER (S) <b>DINM23T3</b>		PART REVISION <b>A</b>
www.winford.com		989-671-9721			

4

3

2

1