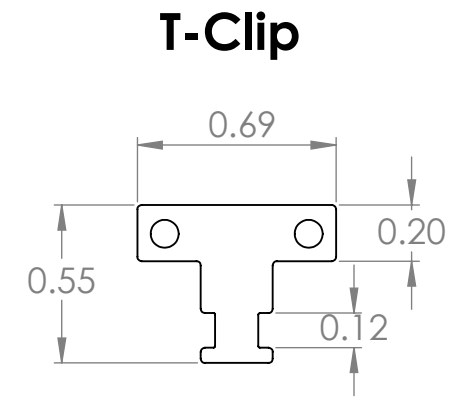
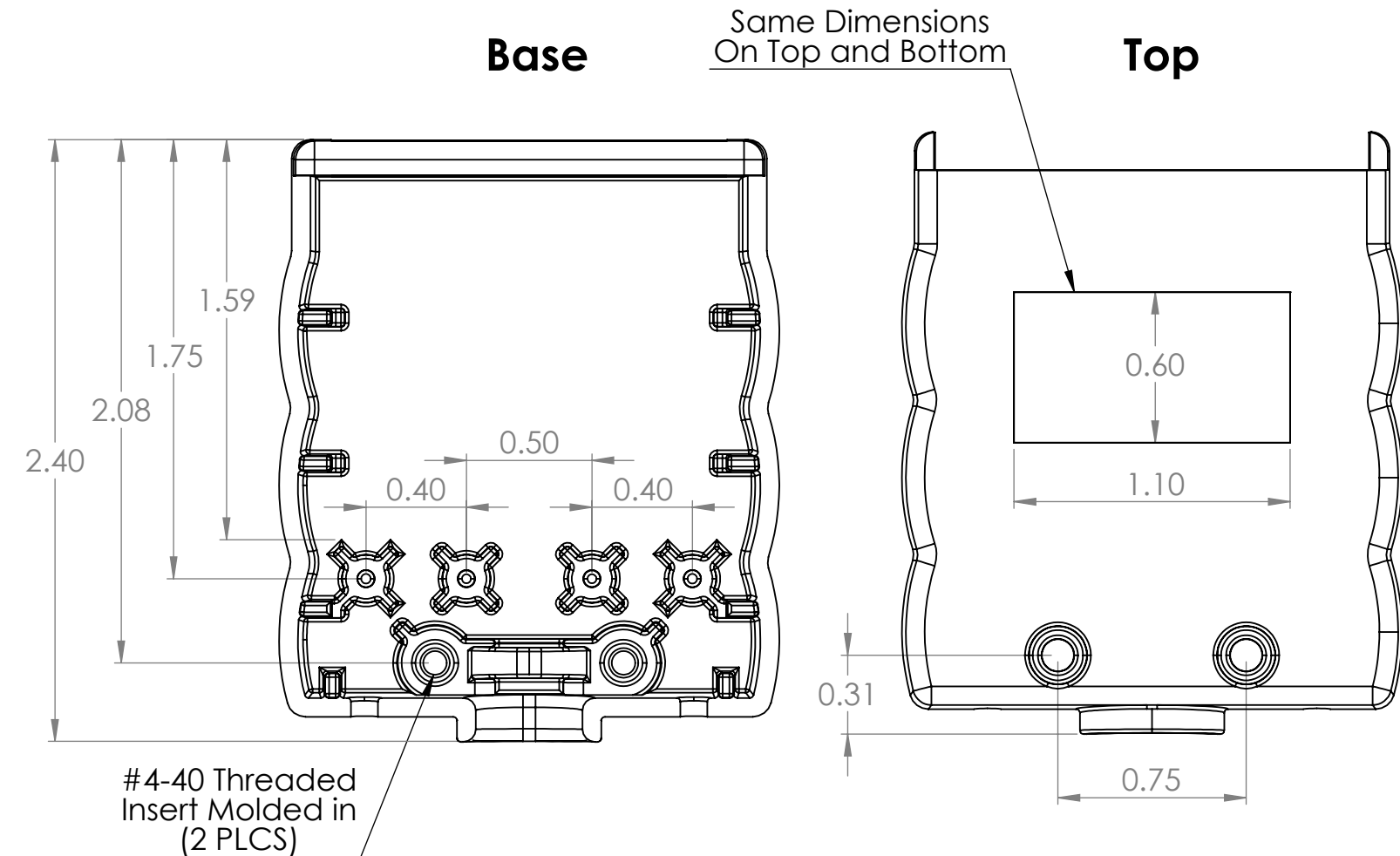
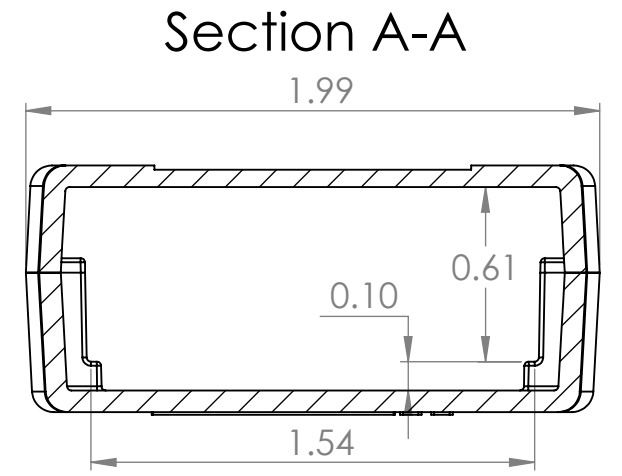
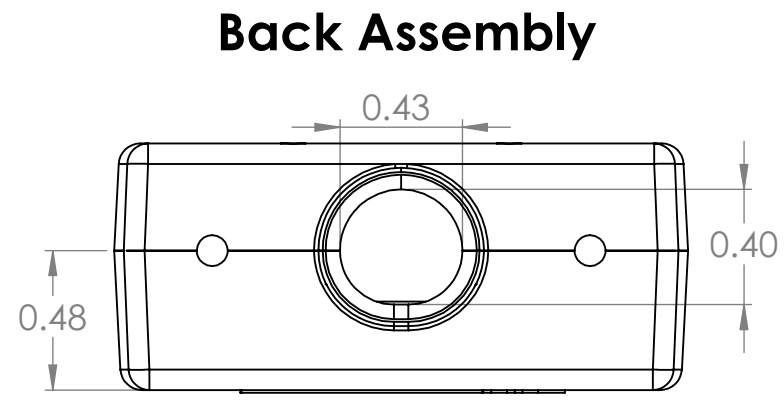
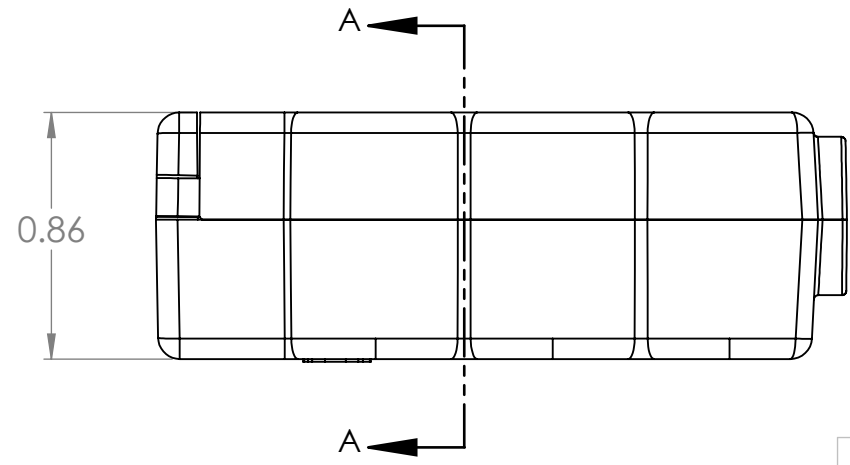
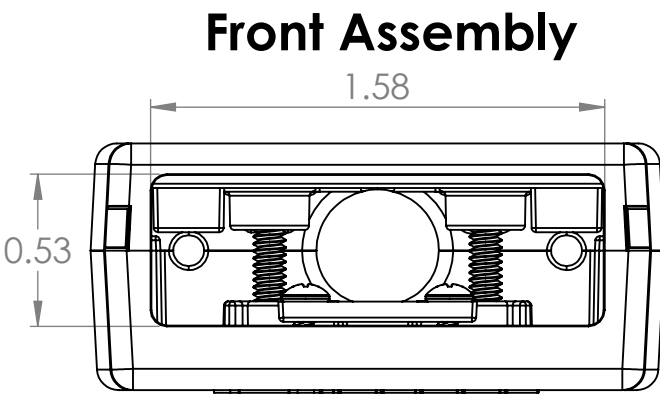


Note: See also "Recommended PCB Drawing to fit ECB15A1 Enclosure"



#4-40 Pan-Head, 5/8" For Case Enclosure (Qty:2)	
#2-28 Pan Head, 1/4" For Board Mount, T-Clip (Qty:2)	
0.1" Zip Tie, 4" For Wire Strain Relief (Qty:1)	



DIM: INCH	DATE: 02/16/2022	RoHS COMPLIANT: Yes	DESCRIPTION: DB15 PCB Enclosure Kit	
		WINFORD ENGINEERING, LLC 4561 GARFIELD ROAD AUBURN, MI 48611	PART NUMBER (S) ECB15A1-N	PART REVISION A
www.winford.com		989-671-9721		