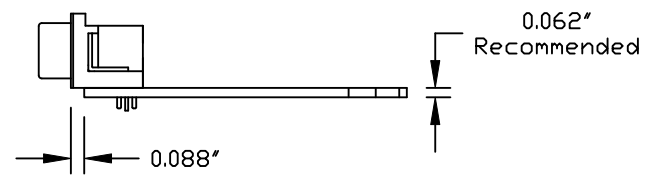
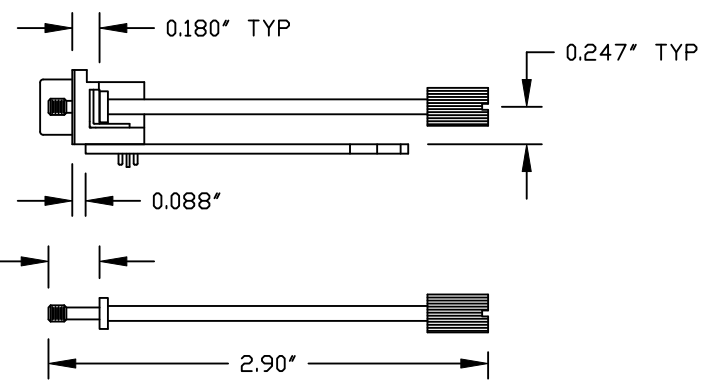
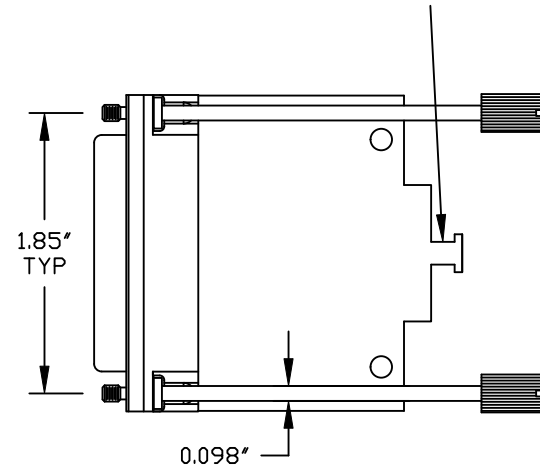
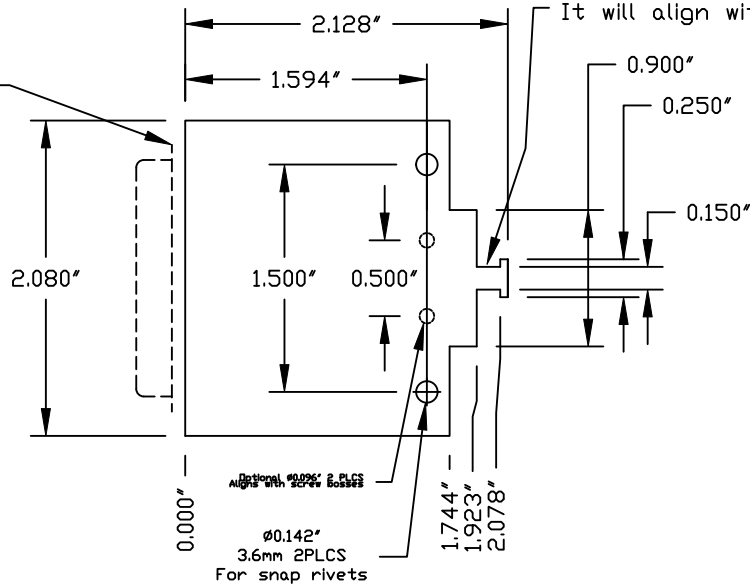



Cable Strain Relief

If a strain relief is desired, it should be designed into the PCB with these dimensions.

It will align with a slot in the enclosure to accommodate a cable tie.

FACE OF DB25
or DB44HD



DIM: Inch	DATE: 07-21-2023	RoHS COMPLIANT: N/A	DESCRIPTION:
 Winford Engineering, LLC 4561 Garfield Road Auburn, MI 48611 www.winford.com 989-671-9721			Recommended PCB Drawing to fit ECB25A1 Enclosure
			PART NUMBER(S): N/A