

4

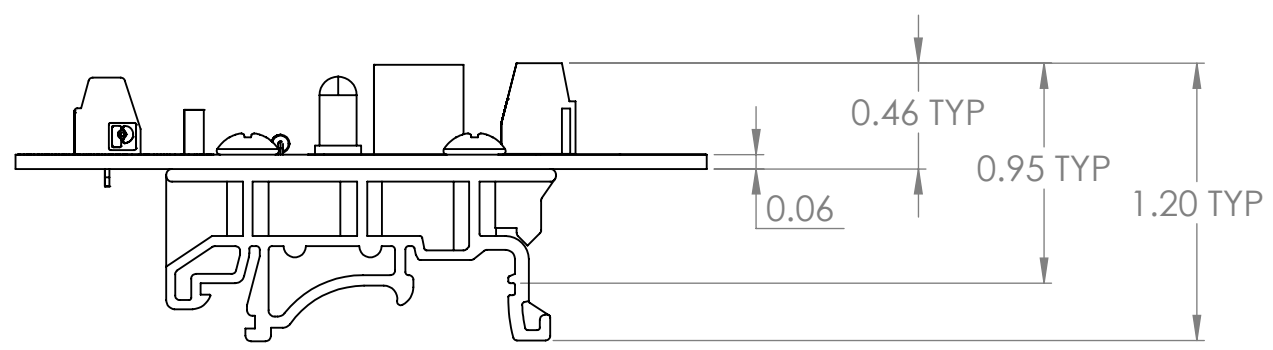
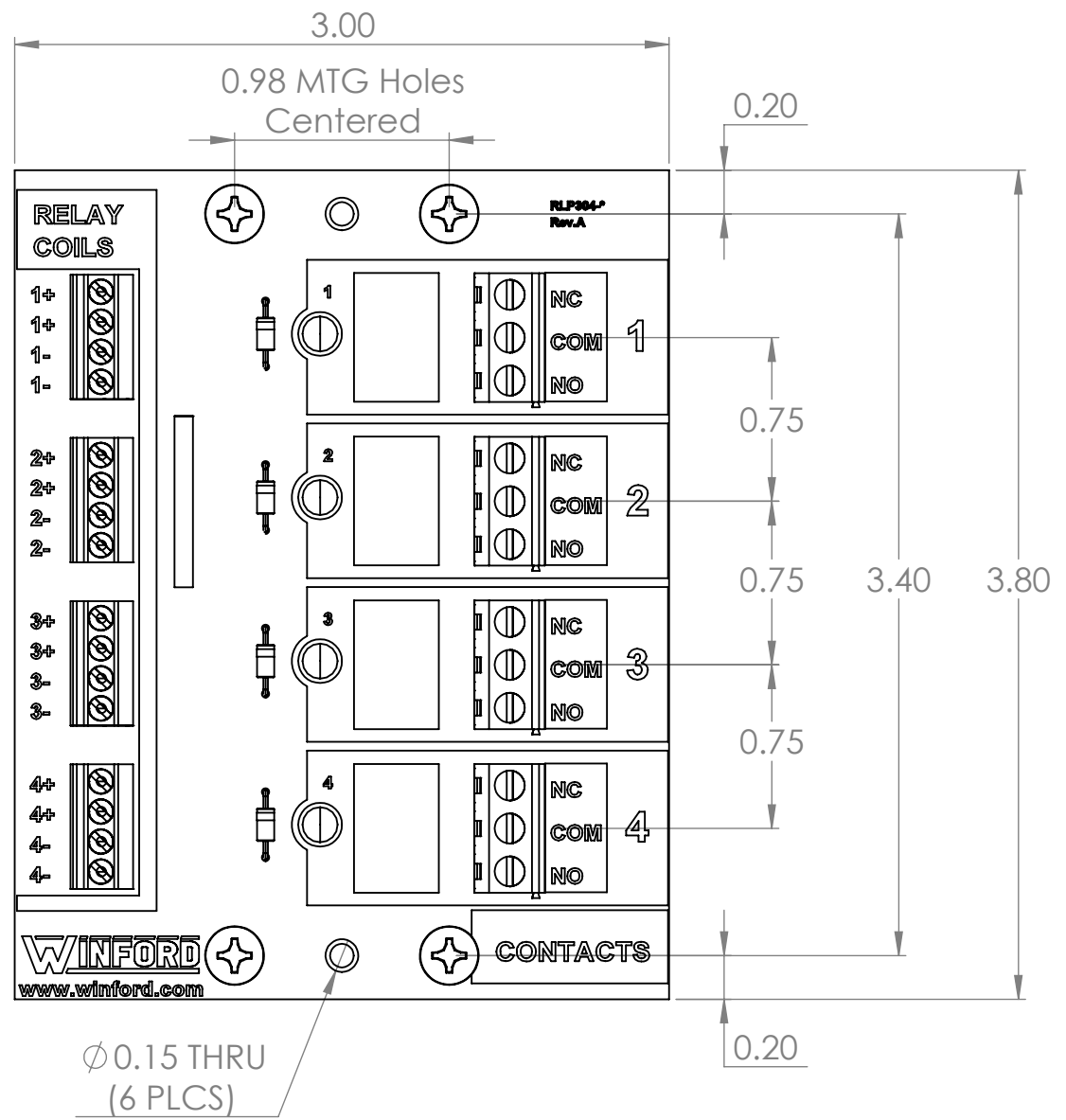
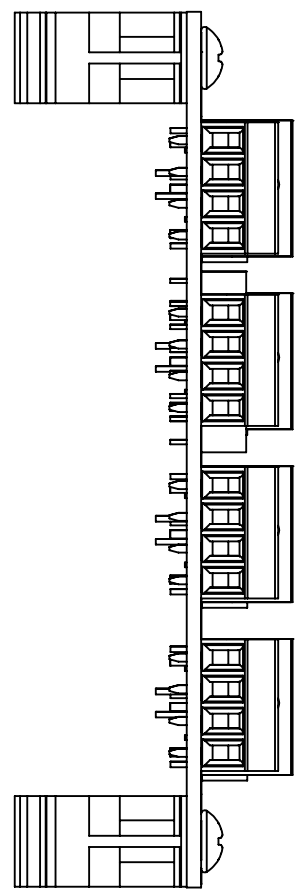
3

2

1


B

B



A

A

DIM: INCH	DATE: 08/05/2022	RoHS COMPLIANT: Yes	DESCRIPTION: 4-Channel SPDT Low-Current Relay Board
 WINFORD ENGINEERING, LLC 4561 GARFIELD ROAD AUBURN, MI 48611		PART NUMBER (S) <b>RLP304-xxV-DIN</b>	PART REVISION <b>A</b>
www.winford.com		989-671-9721	

4

3

2

1