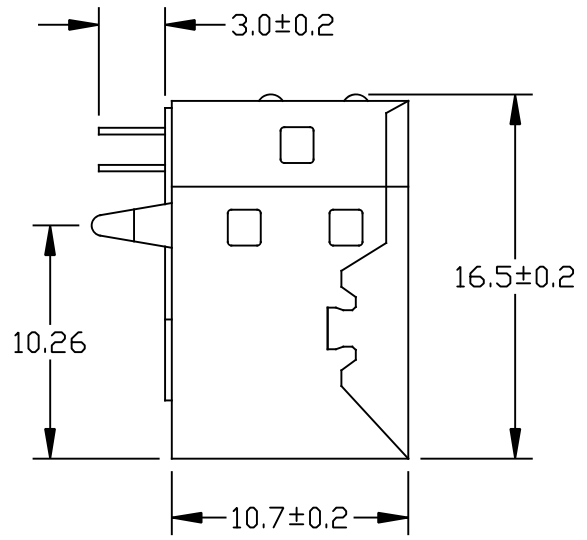
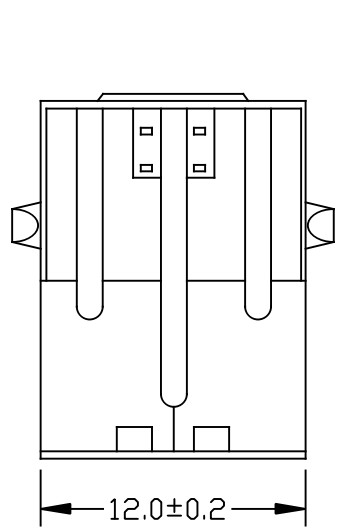
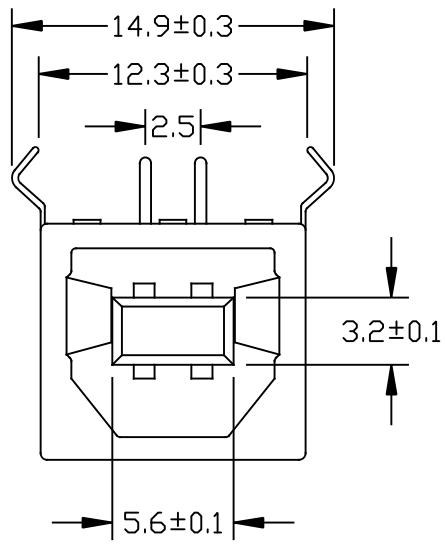


UCRB1F: USB Type B Female Connector, R/A, PCB Mount

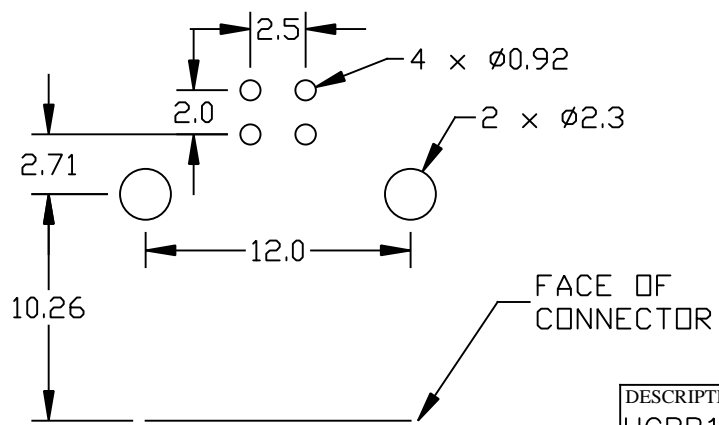


SPECIFICATIONS


1. Current Rating: 1A Max
2. Dielectric Withstanding Voltage: 500V(AC) For 1 Minute
3. Contact Resistance: 30 Milliohms Max
4. Insulation Resistance: 1000 Megohms Min. at DC 500V
5. Temperature Range: -55°C to +105°C
6. Insulator: PBT, UL 94V-0
7. Contact Plating: Gold Flash
8. RoHS Compliant
9. Rated for use with USB 1.1 Connections



RECOMMENDED PCB FOOTPRINT



DIMENSIONS ARE IN MILLIMETERS

DESCRIPTION: UCRB1F: USB B Female R/A PCB	
	Winford Engineering 4561 Garfield Road Auburn, MI 48611
www.winford.com	989-671-9721